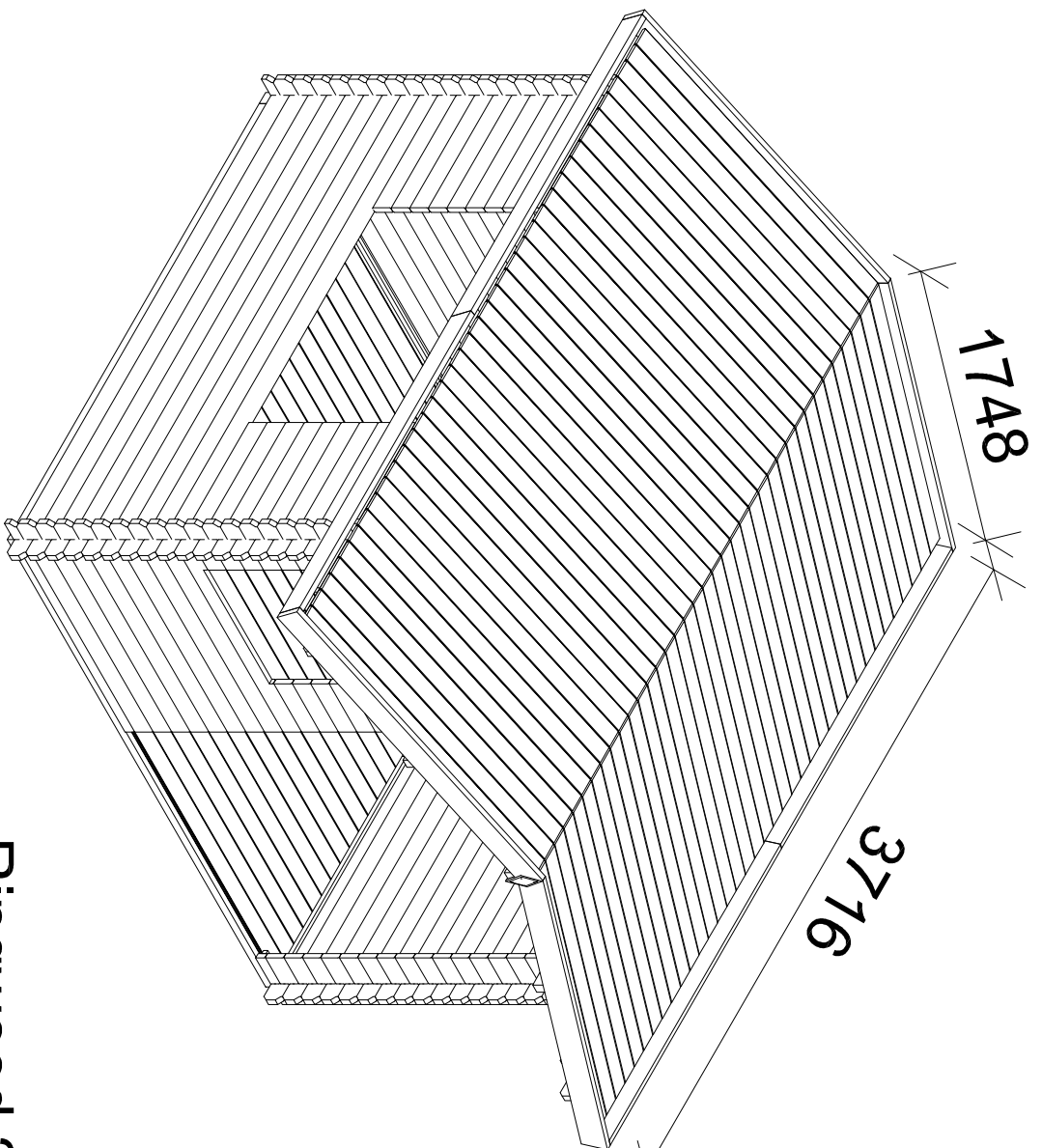
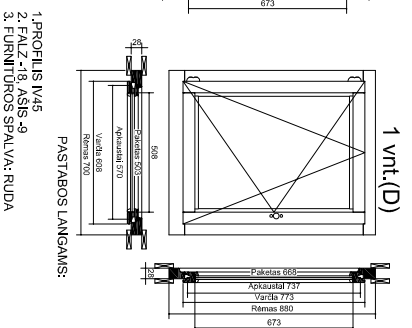
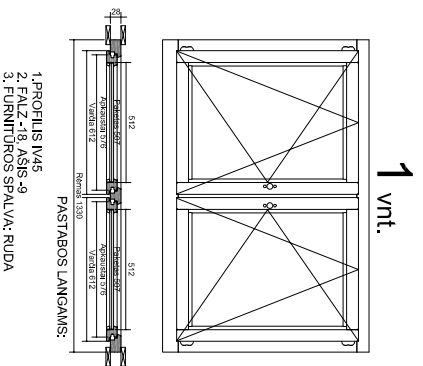
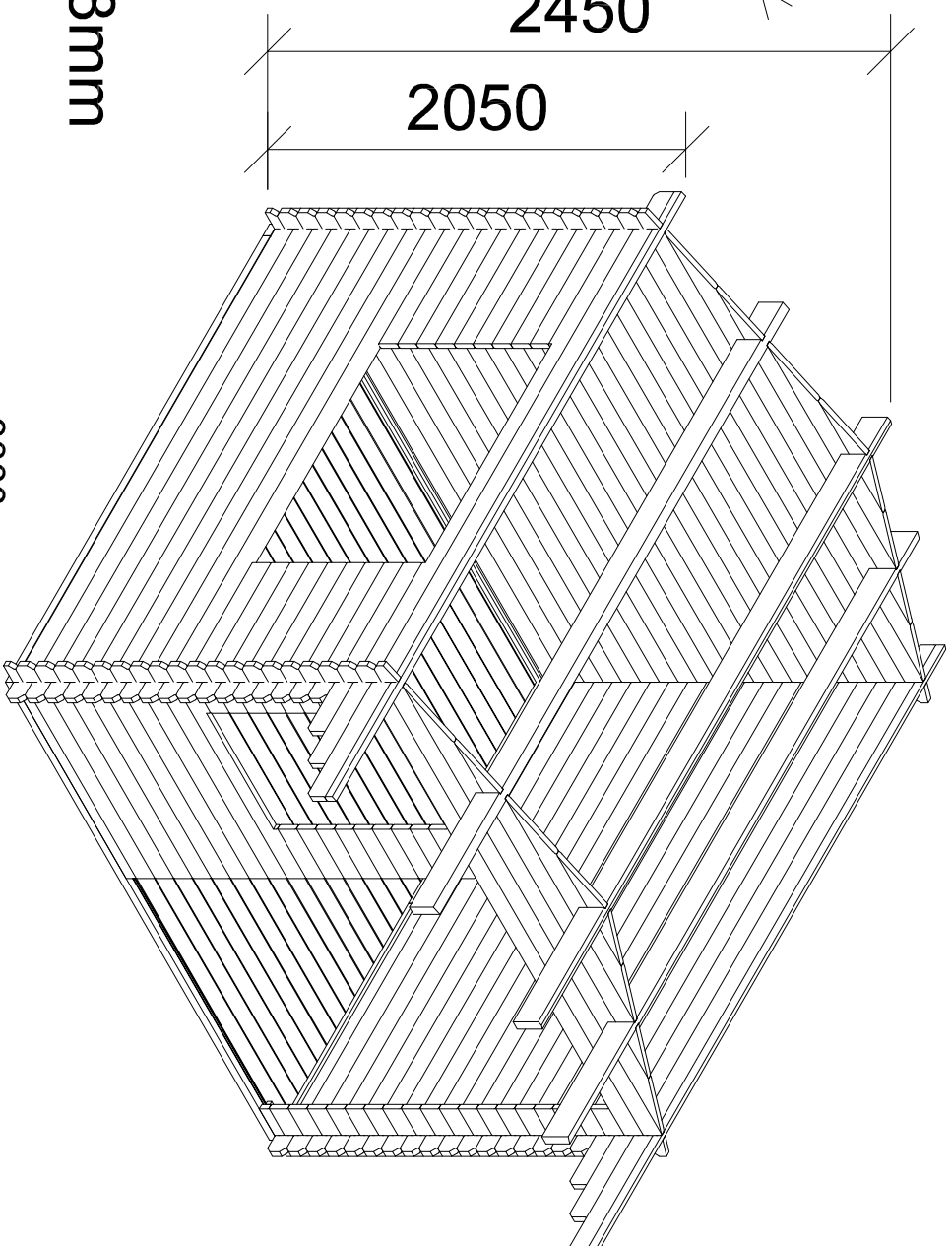


Ringwood 28mm

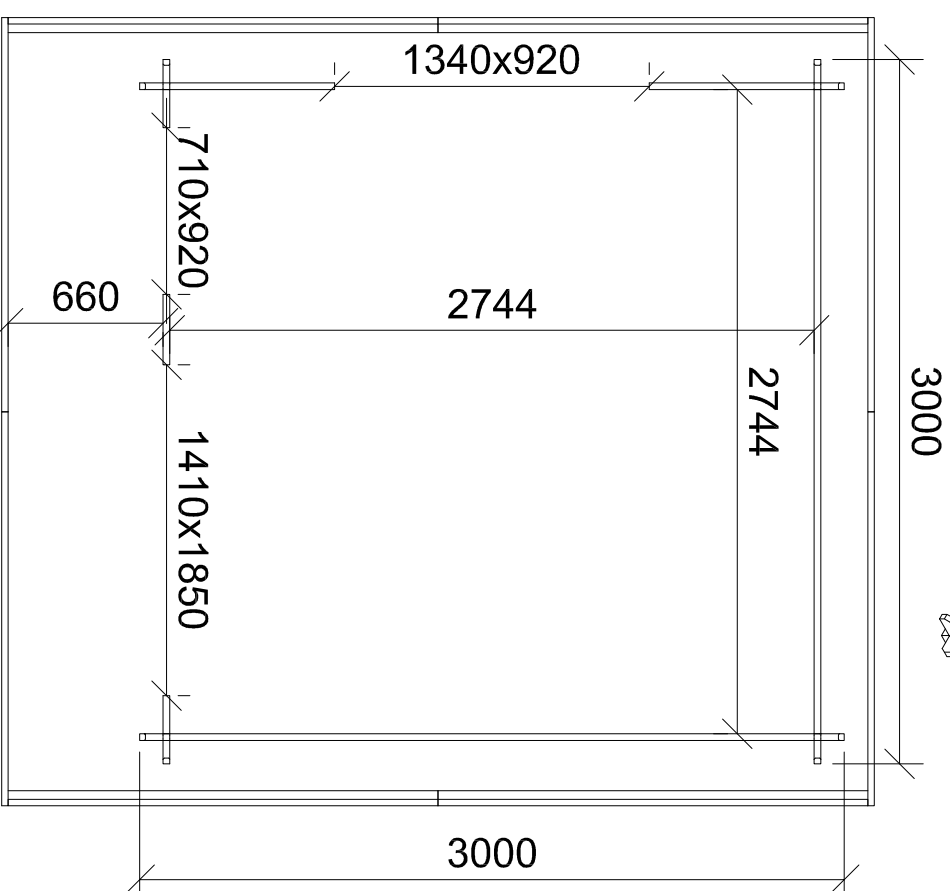
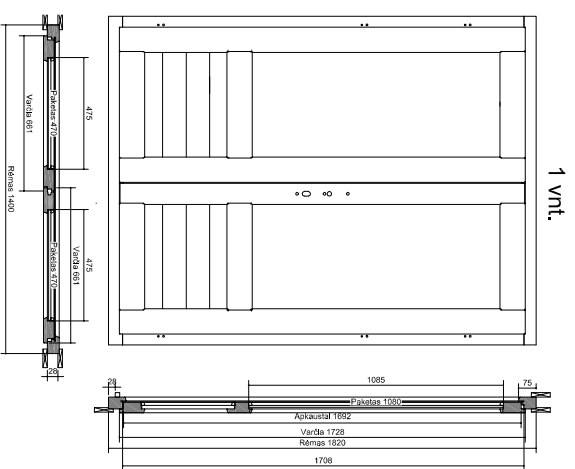


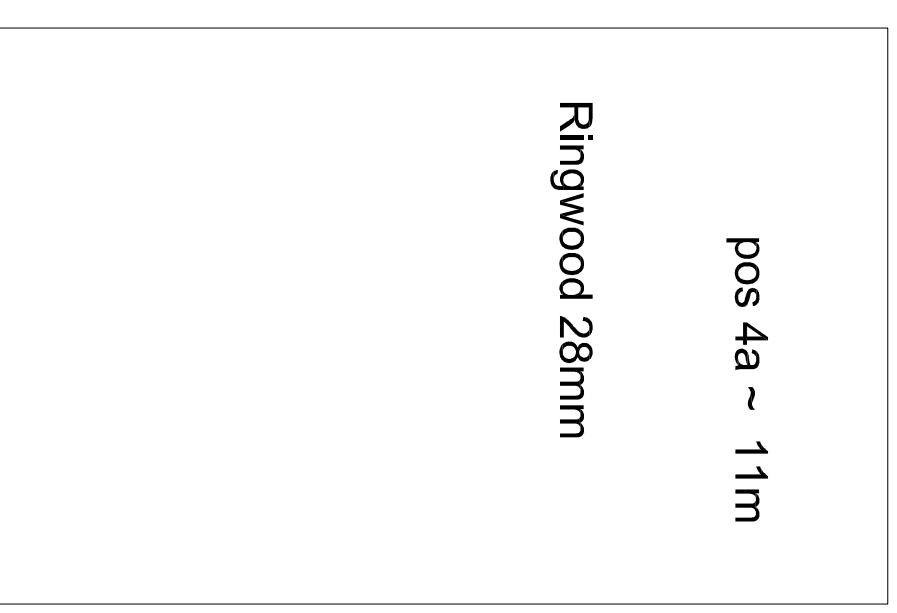
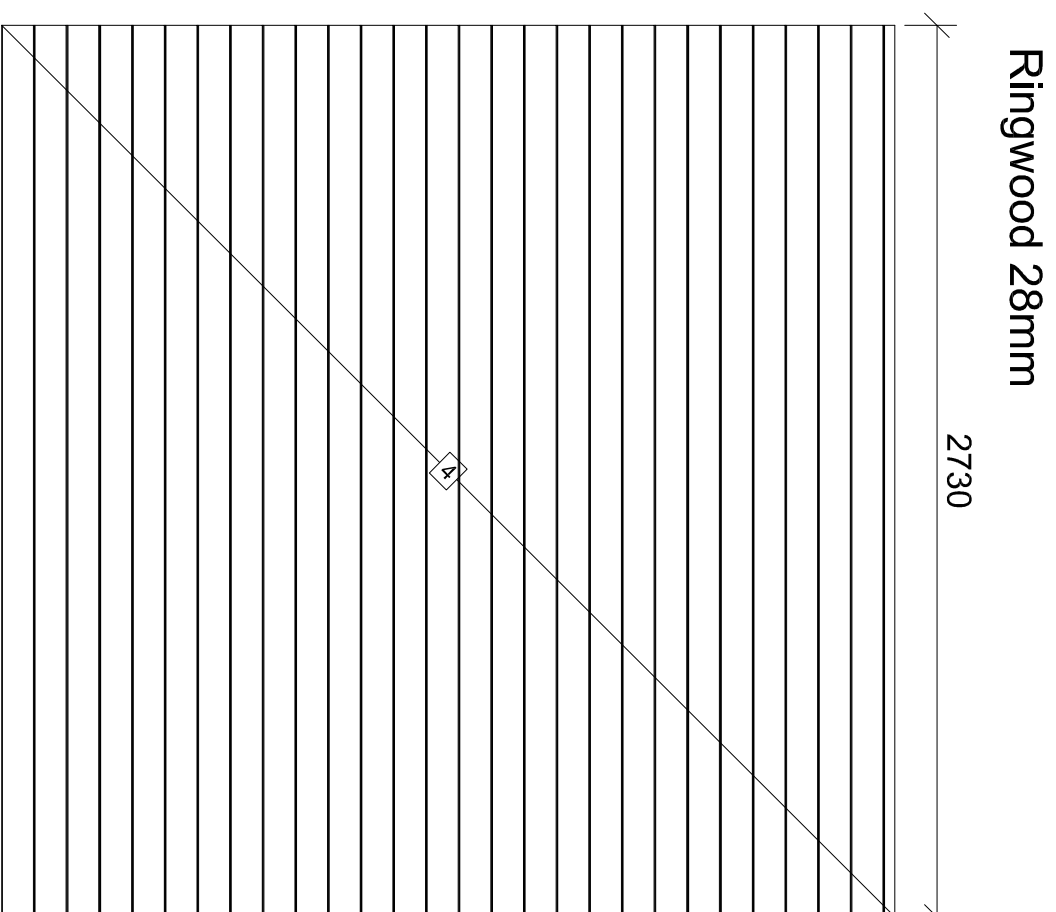
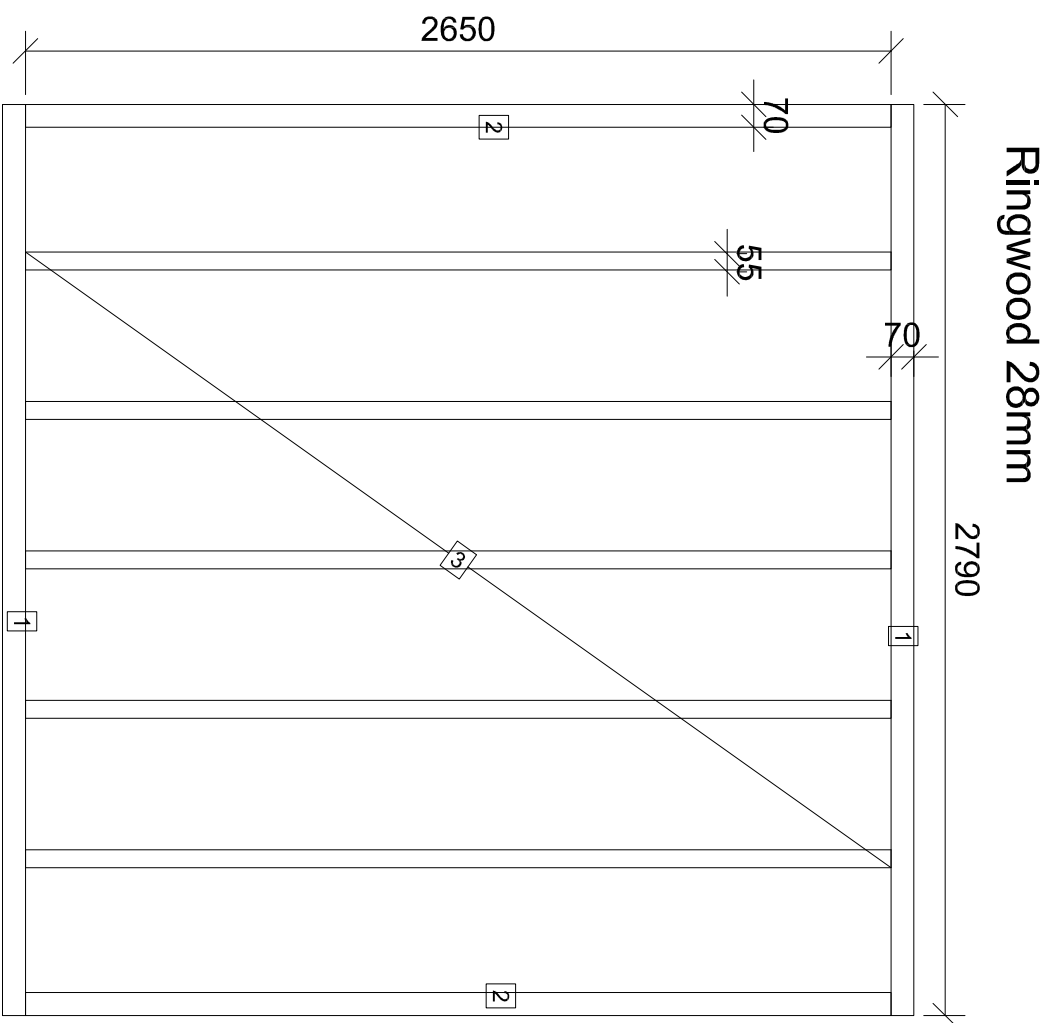
Ringwood 28mm

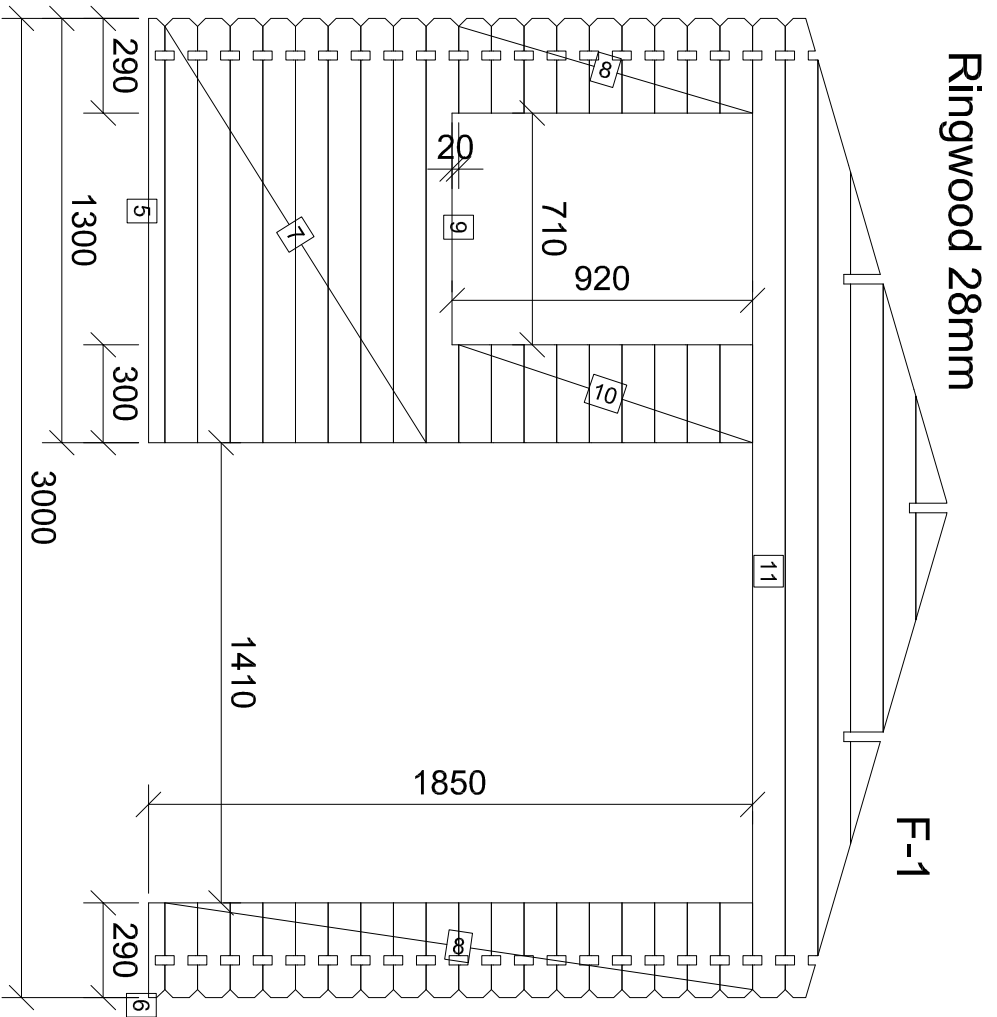


Ringwood 28mm

su frezavimais vyriams

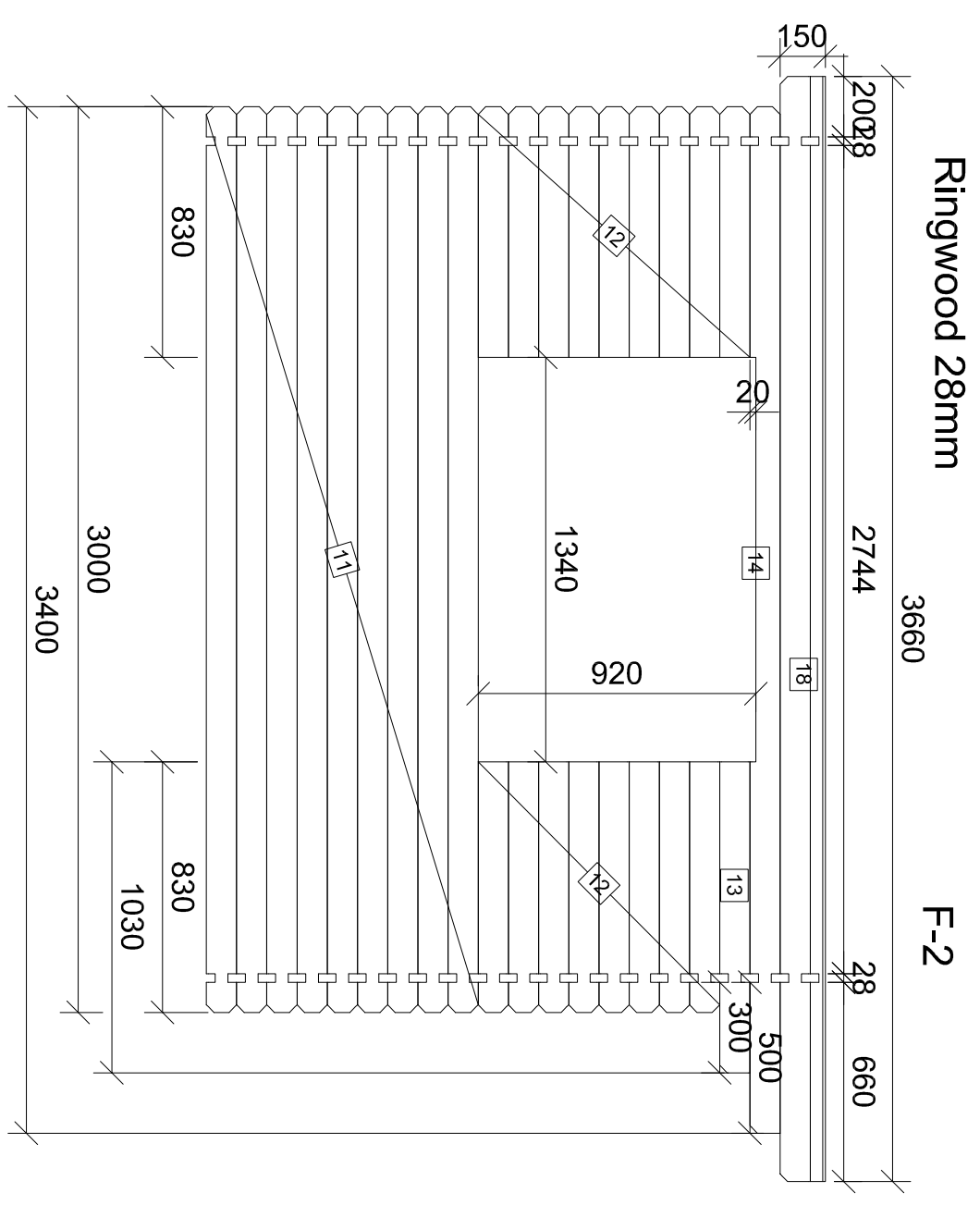






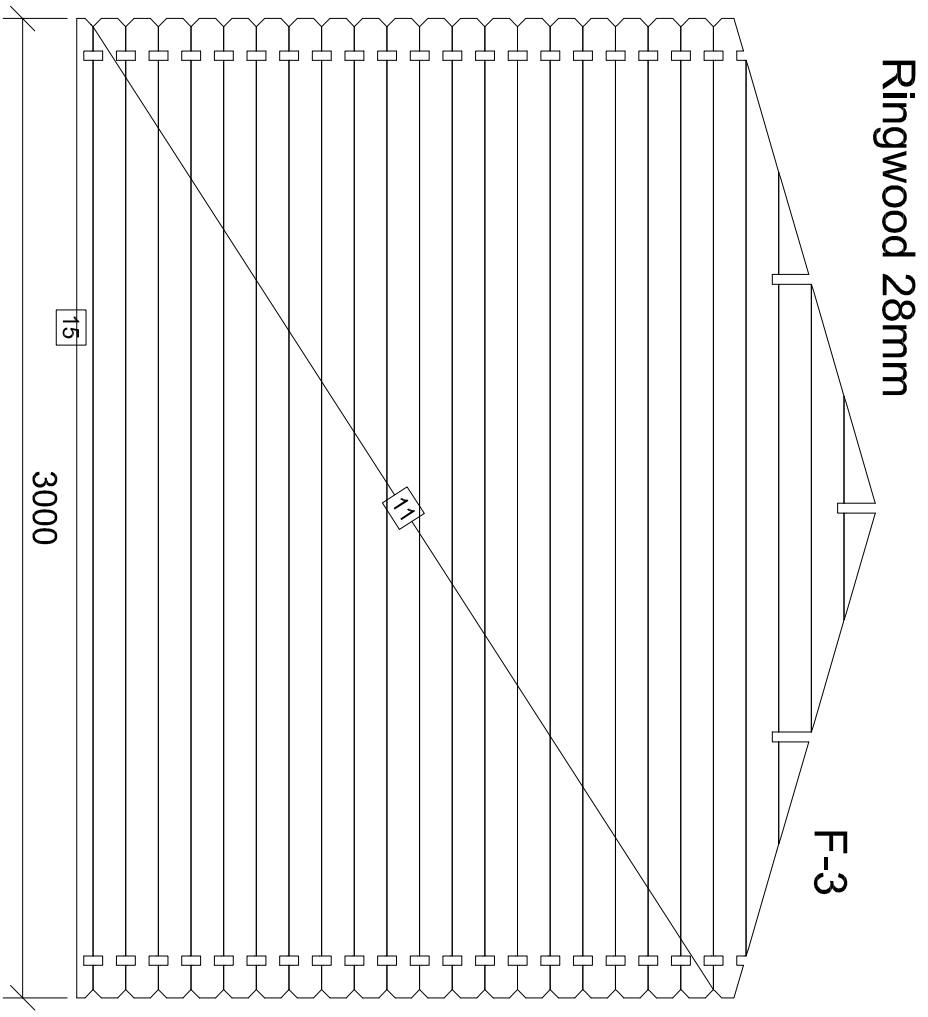
Ringwood 28mm

F-1



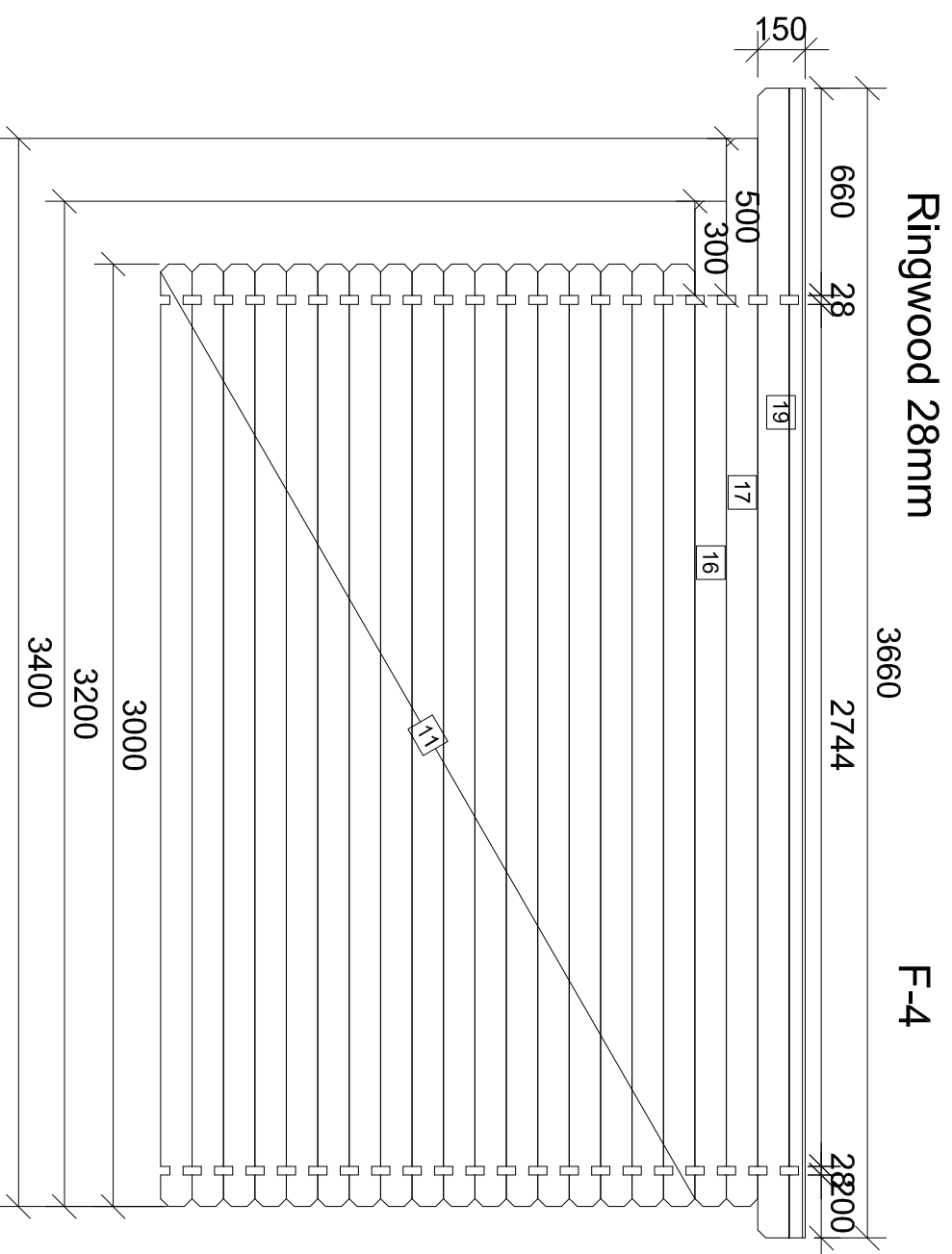
Ringwood 28mm

F-2



Ringwood 28mm

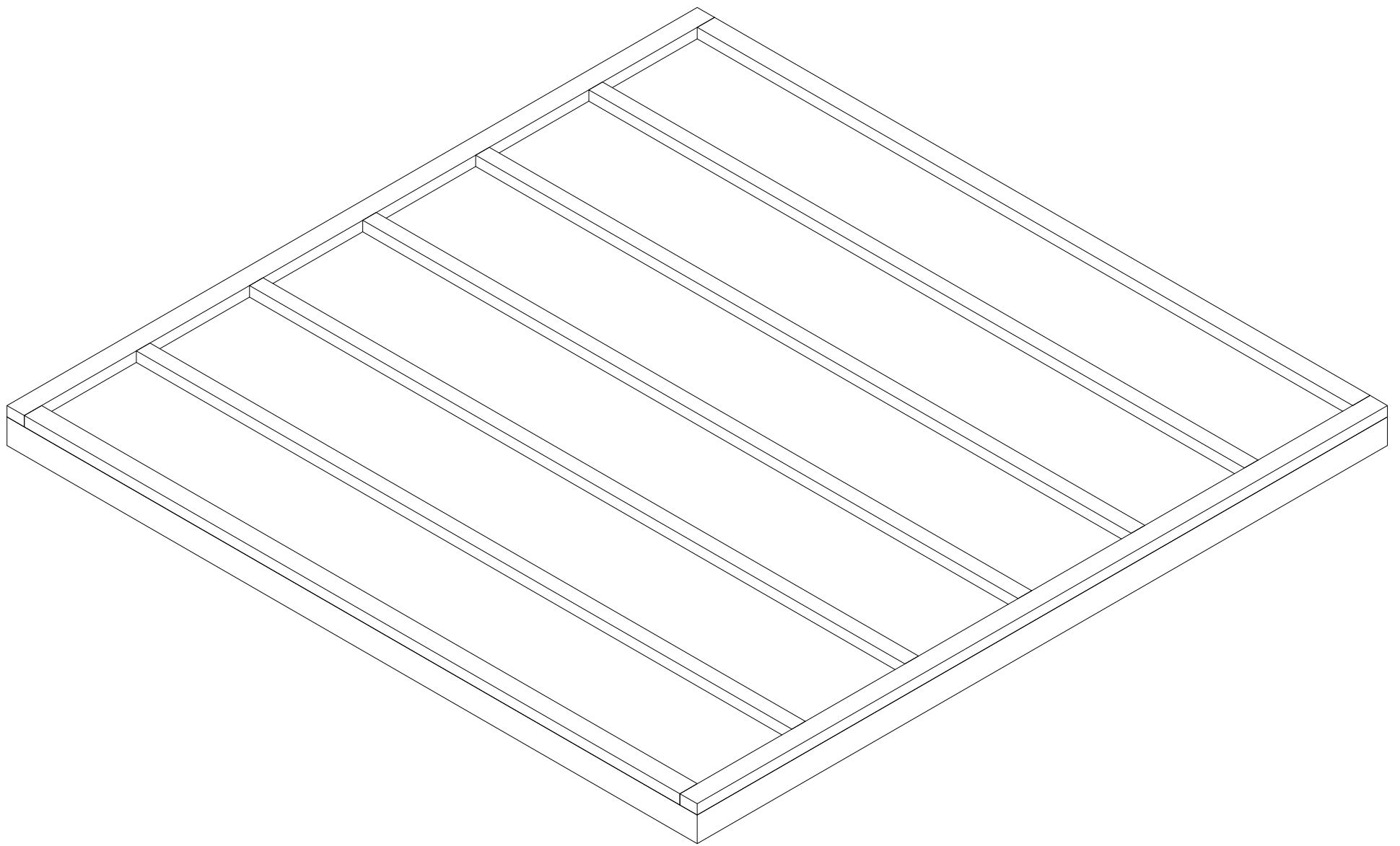
F-3



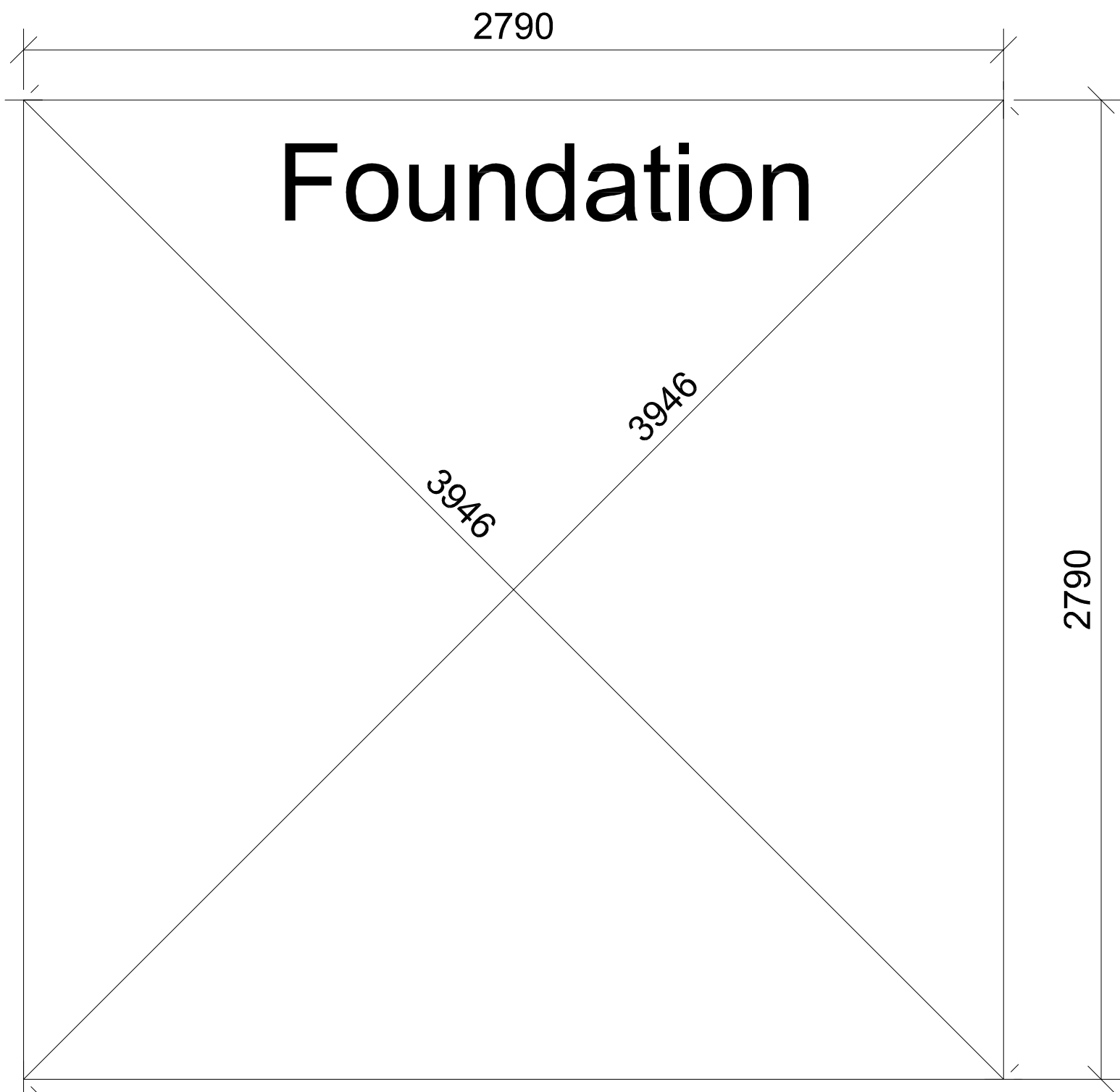
Ringwood 28mm

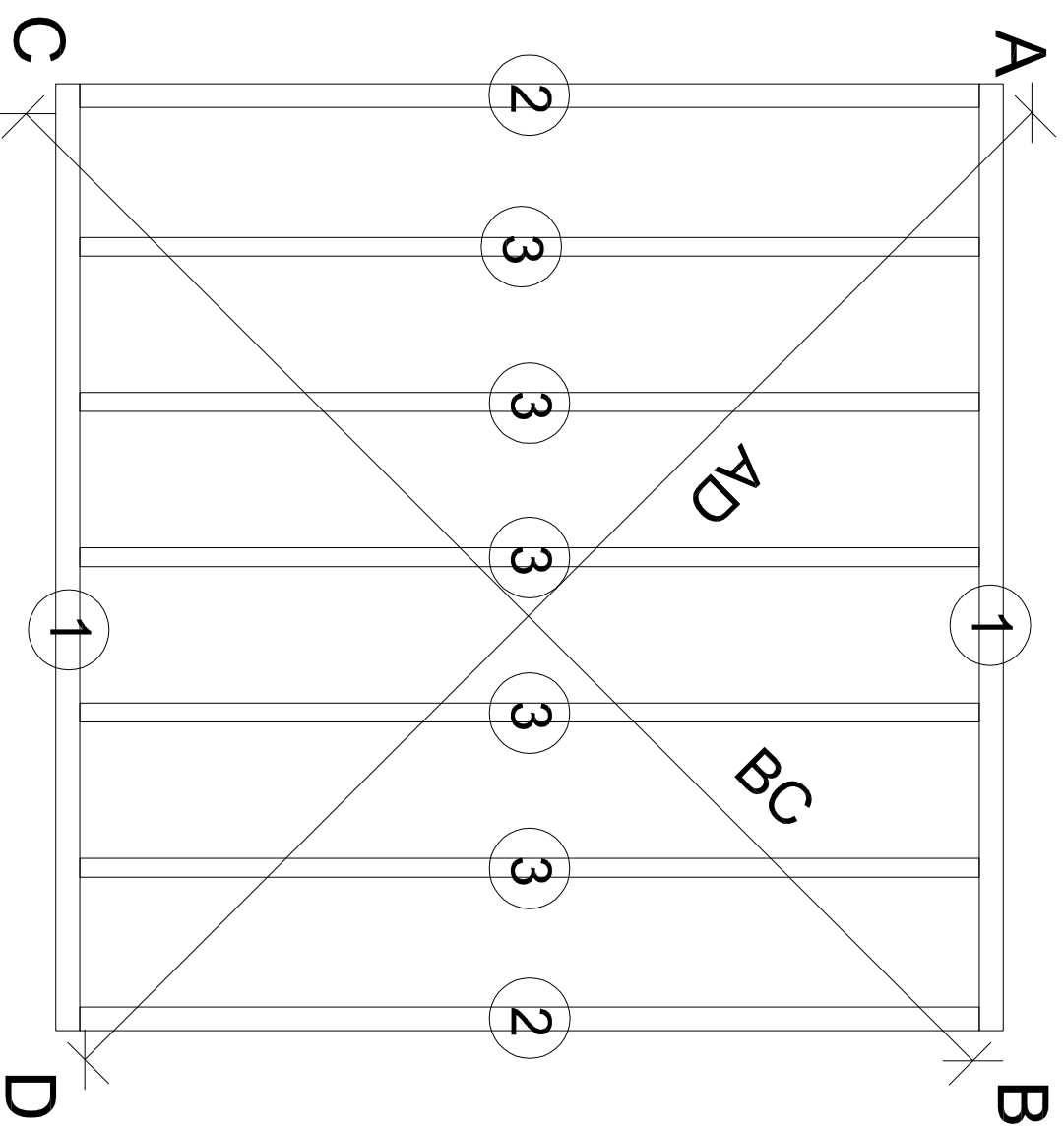
F-4

Ringwood 28mm		300x300 cm			BE 2022	-Date-
		28 mm 2022.10.04				
Degree <74°		Dimensions, mm			Pos.	Quantity
		A	B	C		
		2790	40	70	1	2
		2650	40	70	2	2
		2650	40	55/60	3	5
		2730	28	100/130	4	$\frac{28}{22} + 1$ extra
			19	40	4a	11 m
		1300	28	50	5	1
		290	28	50	6	1
		1300	28	100	7	8
		290	28	100	8	27
		1300	28	100	9	1
		300	28	100	10	9
		3000	28	100	11	46 + 1 extra
		830	28	100	12	17
		1030	28	100	13	1
		3400	28	100	14	1
		3000	28	50	15	1
		3200	28	100	16	1
		3400	28	100	17	1
		3660	28	150	18	1
		3660	28	150	19	1
		3660	44	140	20	1
		3660	44	140	21	1
		3660	44	140	22	1
		1650	19	$\frac{100}{86}$	23	$\frac{74}{87} + 1$ extra
		1748	28	130	24	4
		1830	28	130	25	4
		200	70		26	2
		1748	19	40	27	4
		3000	496		F-1,3	2
		1410	1850		28	1
		1340	920		29	1
		710	920		30	1
		ca. 1880	19	40	31	4
		~1510	45	28	a	2
		~1440	45	28	b	2
		~810	45	28	c	2
		1830	40	40	32	4



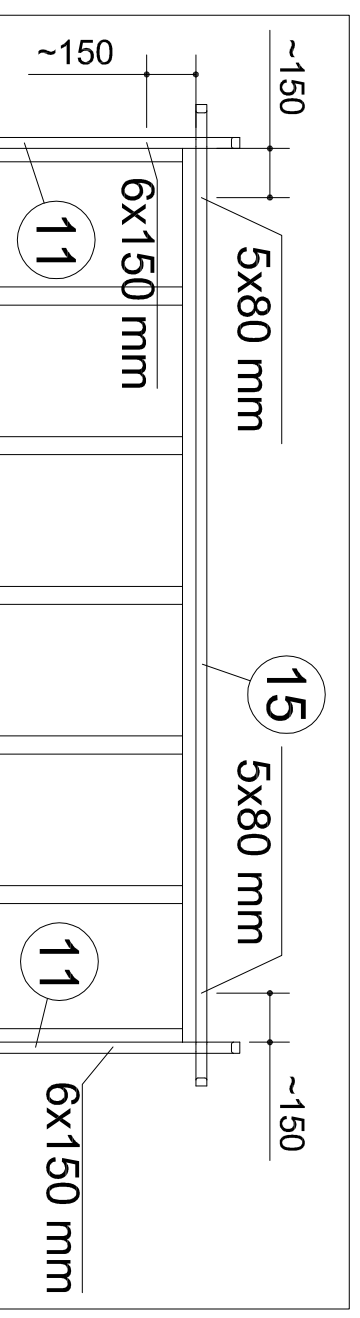
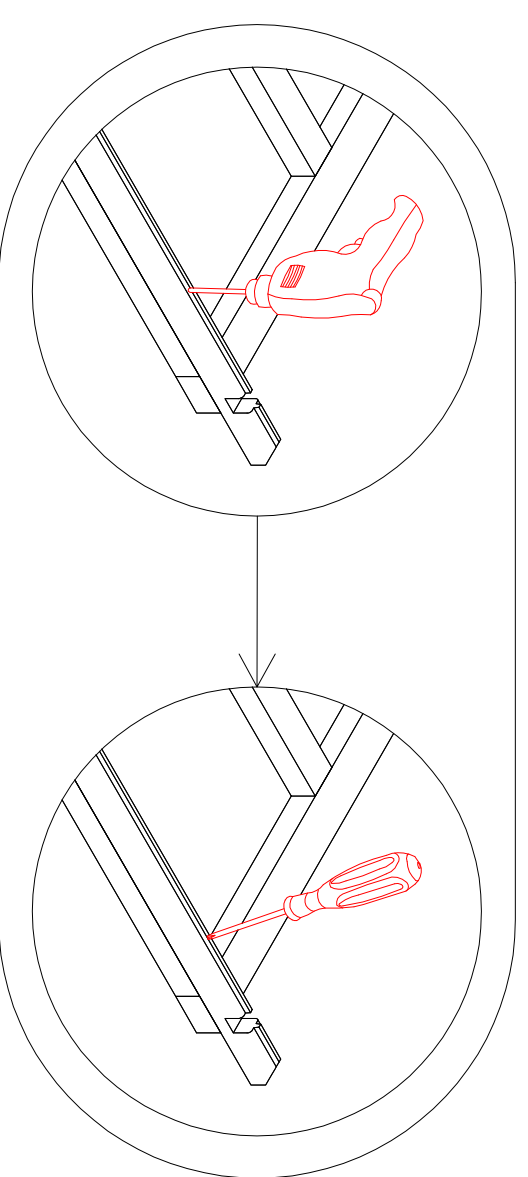
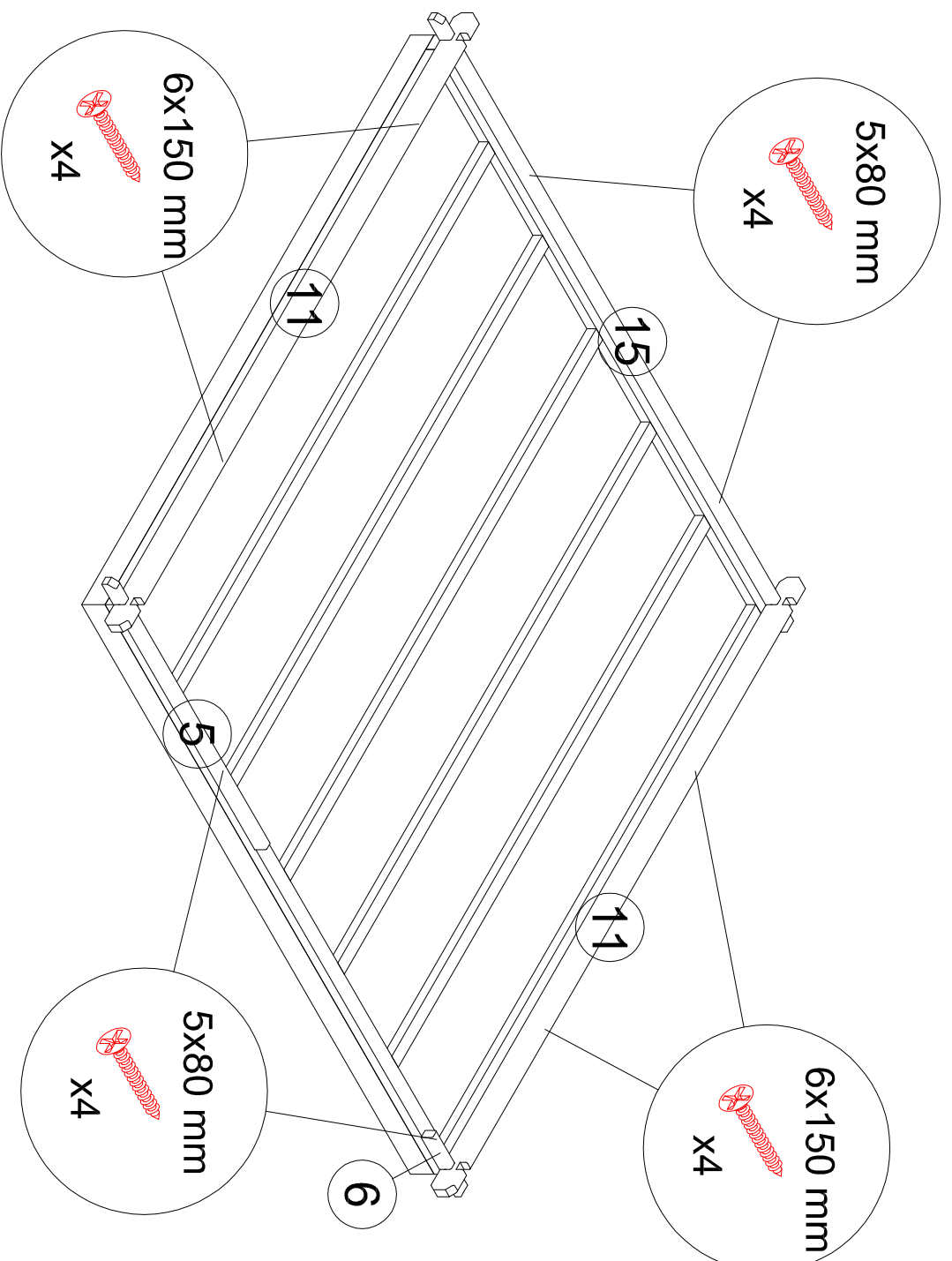
Ringwood 28mm





$$AD=BC$$

Ringwood 28mm	300x300 cm			BE 2021	Date	
	28 mm 2021.12.17					
Degree <74°	Dimensions, mm			Pos.	Quantity	
	A	B	C			
		2790	40	70	1	2
		2650	40	70	2	2
	2650	40	55/60	3	5	



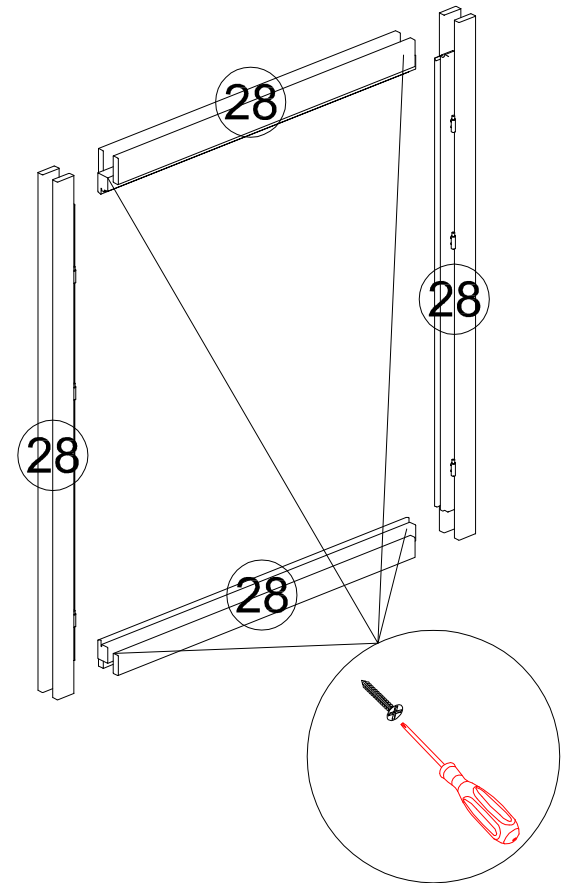
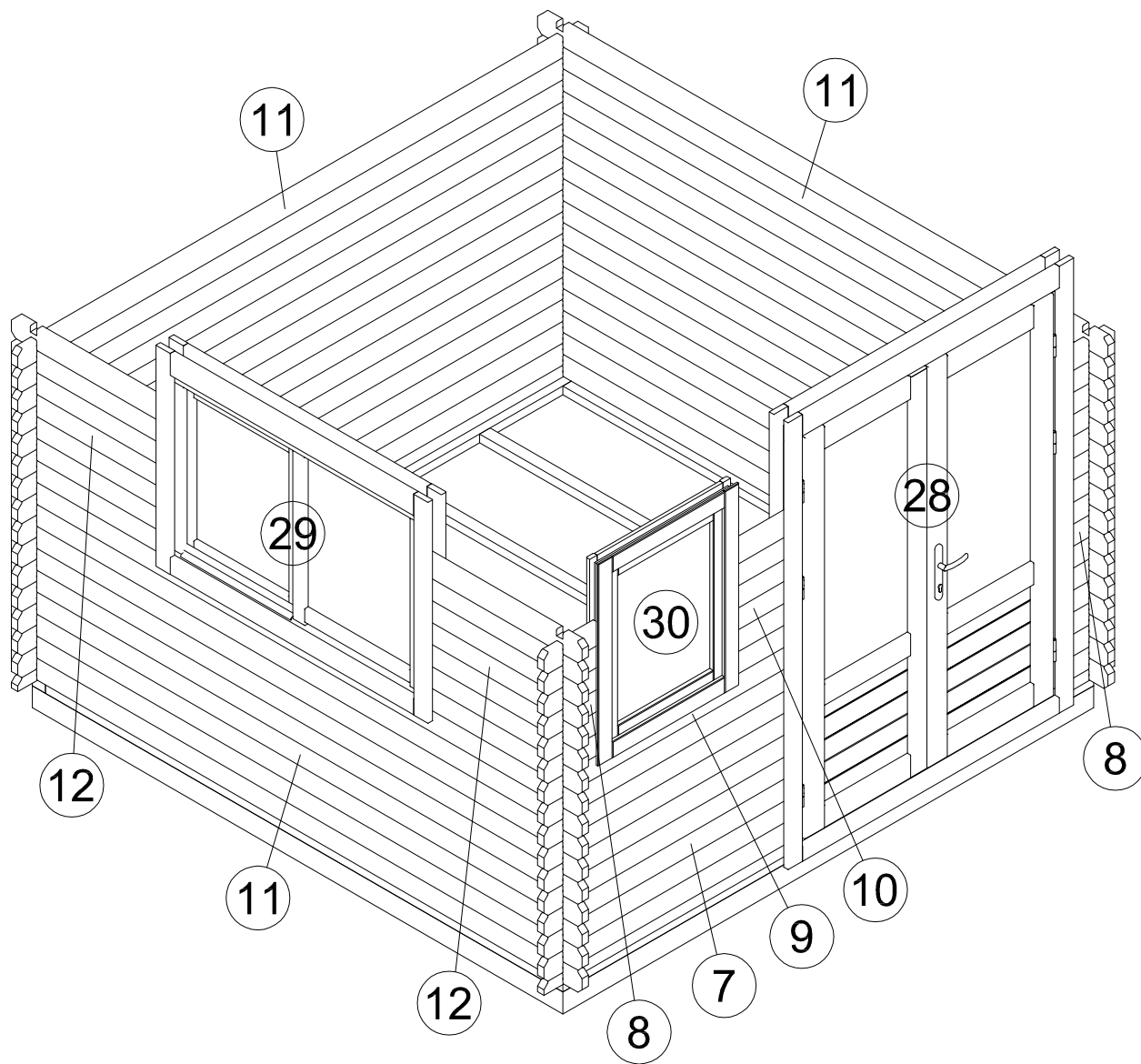
Ringwood 28mm

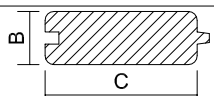
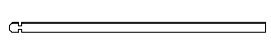
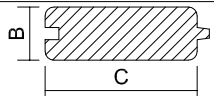
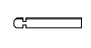
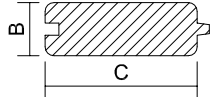
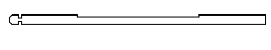
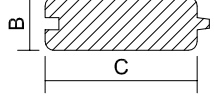
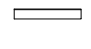
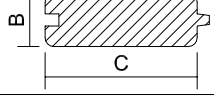

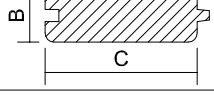

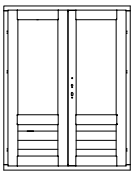
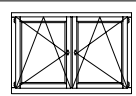
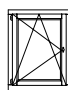
300x300 cm
28 mm 2021.12.07

BE 2021

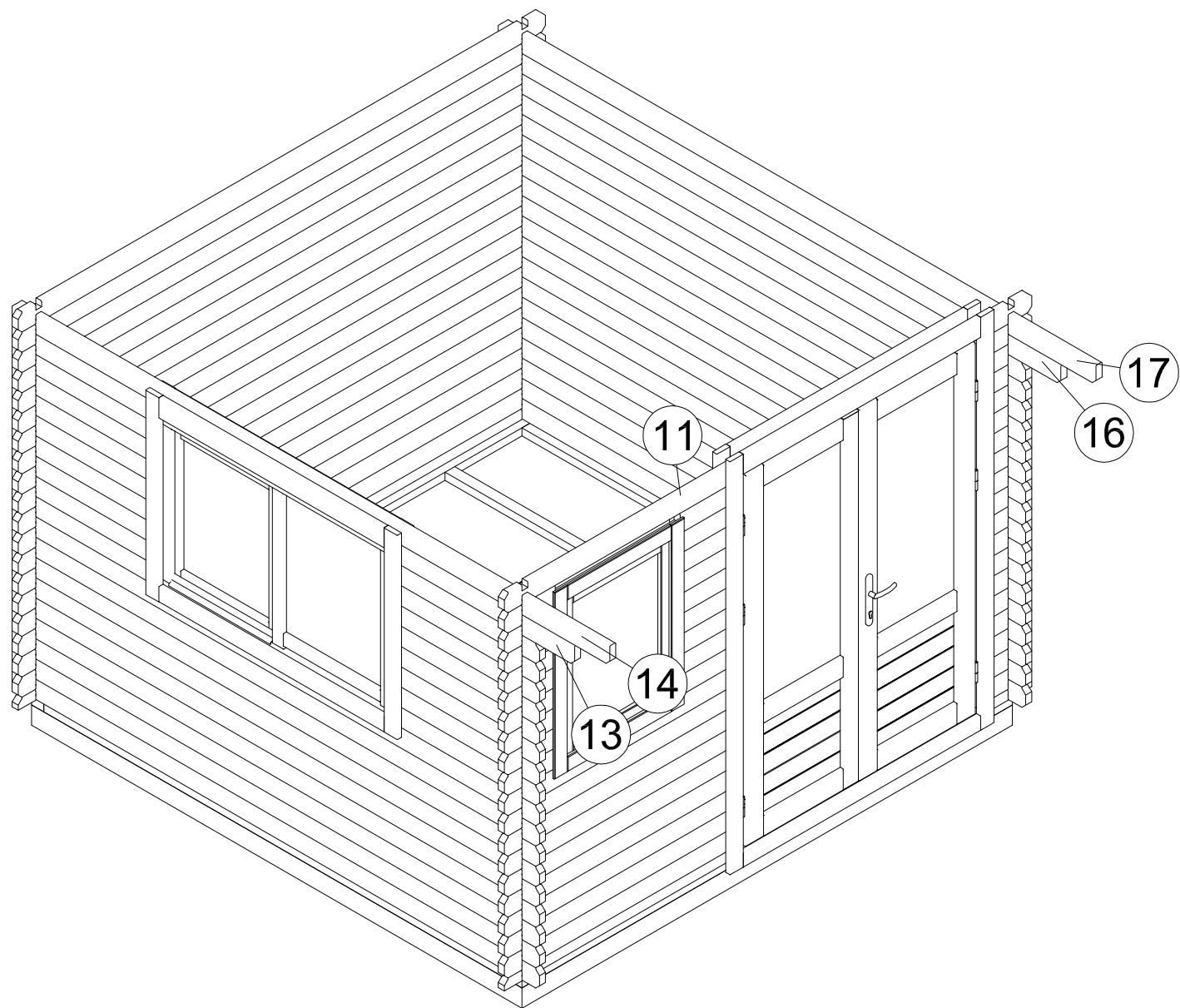
Date

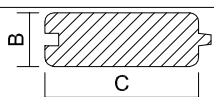

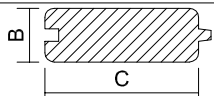
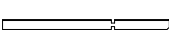
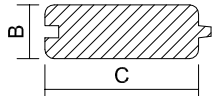
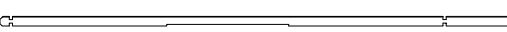
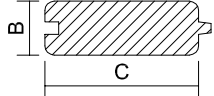
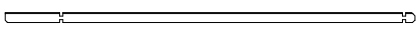
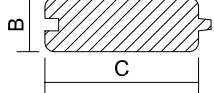
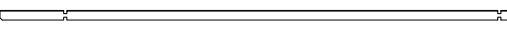
Degree <74°	Dimensions, mm			Pos.	Quantity
	A	B	C		
	1300	28	50	5	1
	290	28	50	6	1
	3000	28	100	11	46 + 1 extra
	3000	28	50	15	1

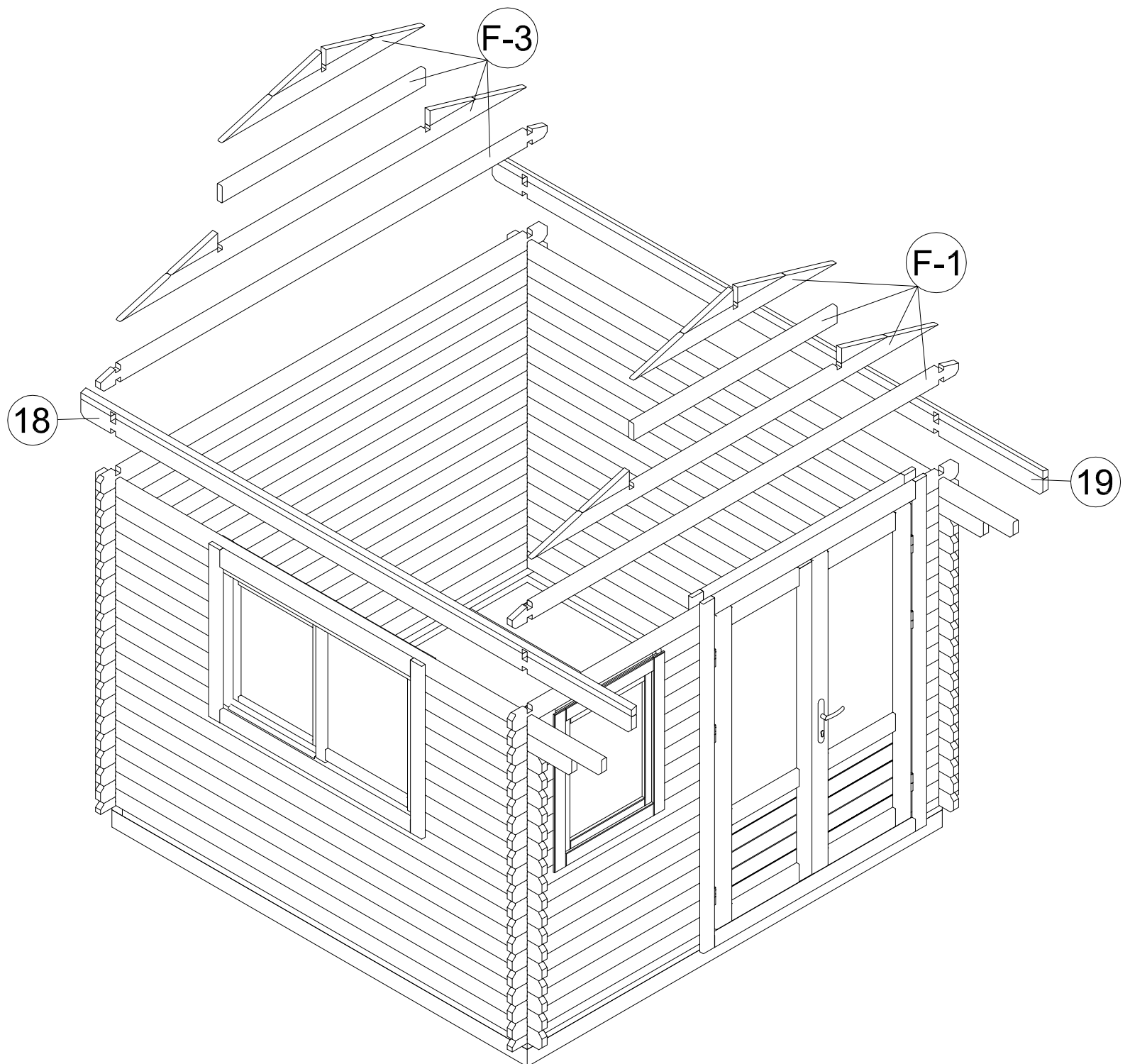


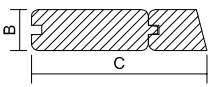

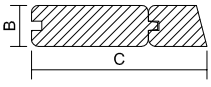


Ringwood 28mm		300x300 cm			Date	
		28 mm <small>2021.12.17</small>				
Degree <74°		Dimensions, mm			Pos.	Quantity
		A	B	C		
		1300	28	100	7	8
		290	28	100	8	27
		1300	28	100	9	1
		300	28	100	10	9
		3000	28	100	11	46 + 1 extra
		830	28	100	12	17
		1410	1850		28	1
		1340	920		29	1
		710	920		30	1

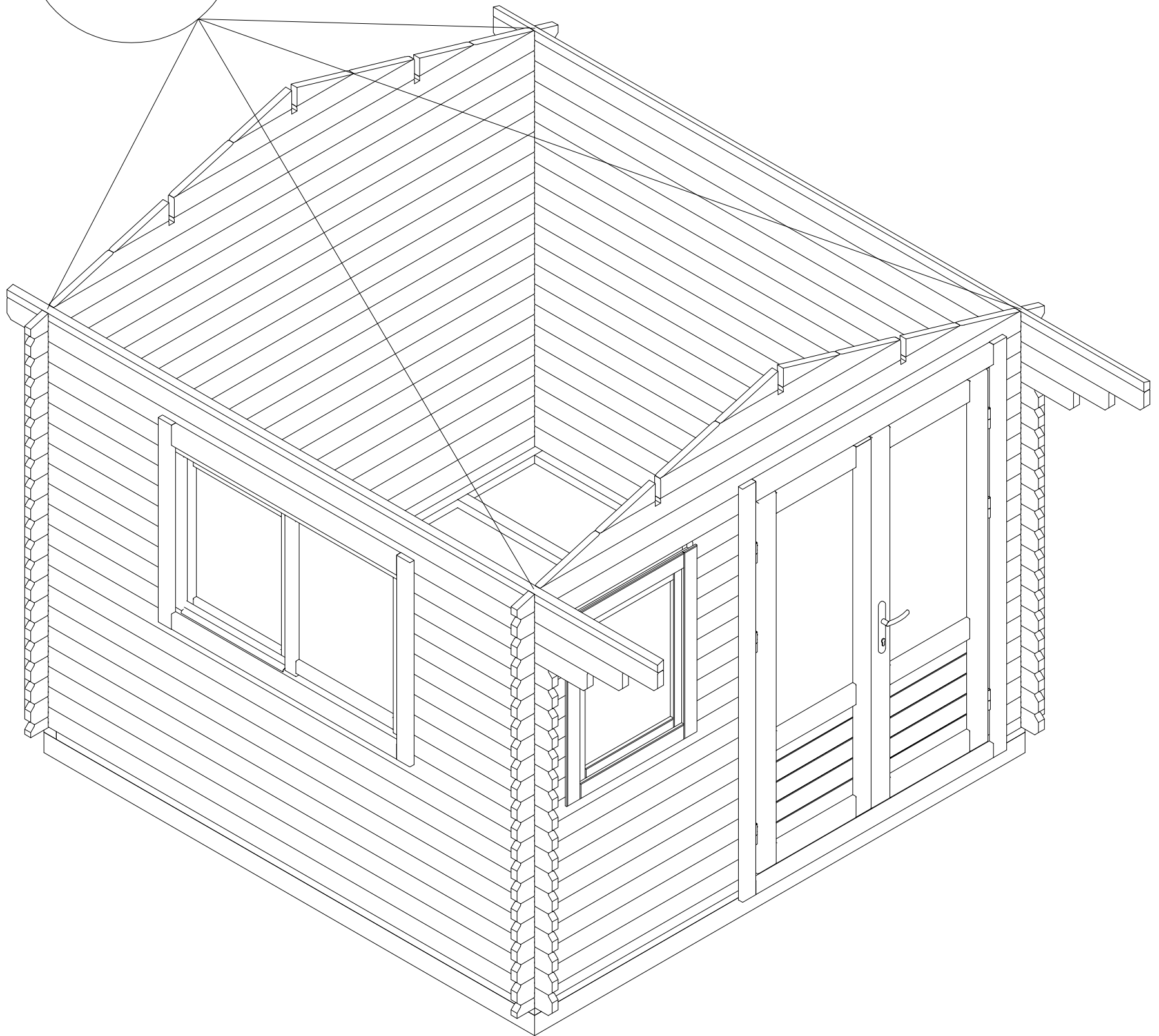
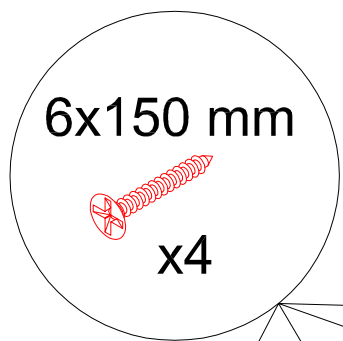
Packing no.



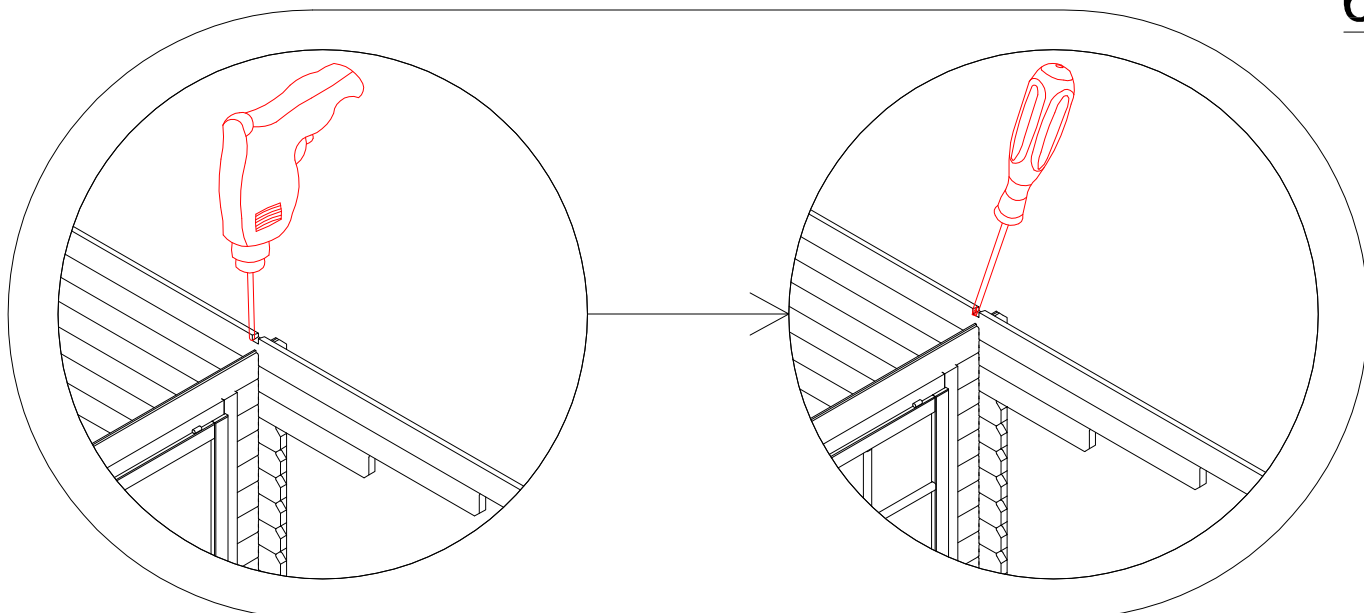
Ringwood 28mm		300x300 cm			BE 2021	Date
		28 mm 2021.12.17				
Degree <74°	Dimensions, mm	A			Pos.	Quantity
		B	C			
		3000	28	100	11	46 + 1 extra
		1030	28	100	13	1
		3400	28	100	14	1
		3200	28	100	16	1
		3400	28	100	17	1



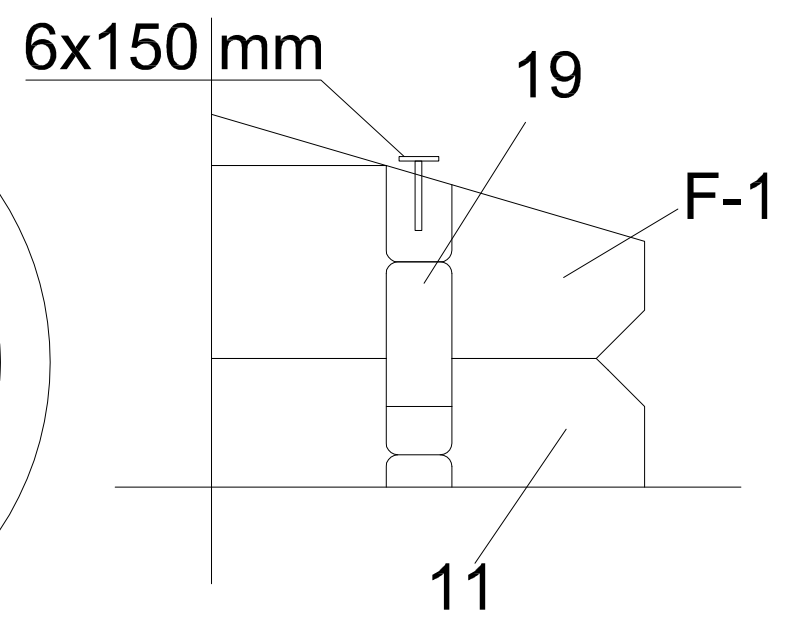
Ringwood 28mm		300x300 cm			BE 2022	Date
		28 mm 2022.10.04				
Degree <74°		Dimensions, mm			Pos.	Quantity
		A	B	C		
		3660	28	150	18	1
		3660	28	150	19	1
		3000	496		F-1,3	2

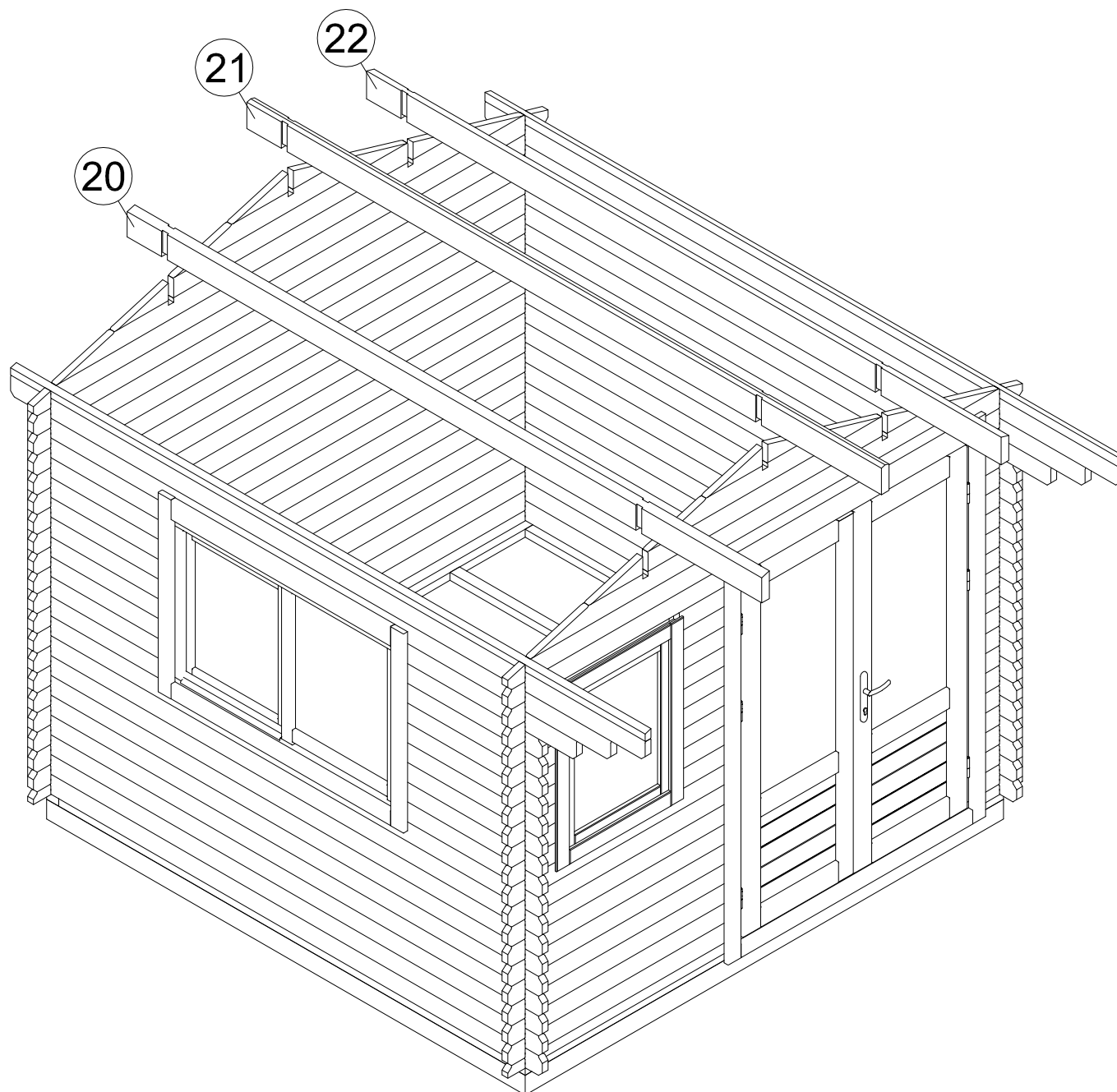


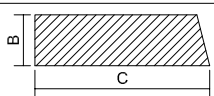
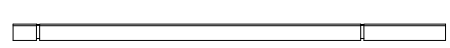
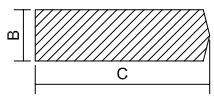

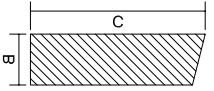

Ringwood 28mm

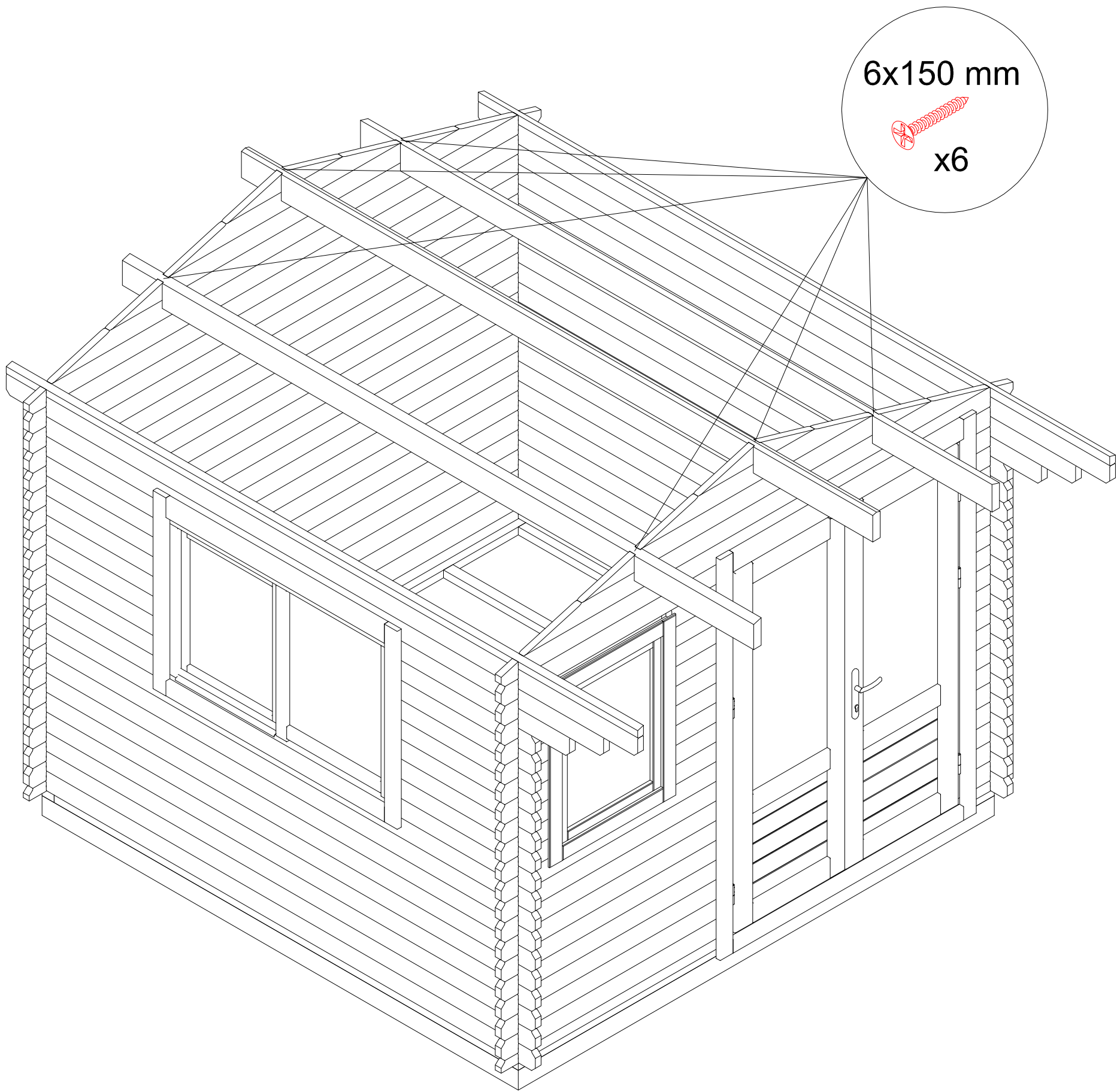


*screws not included

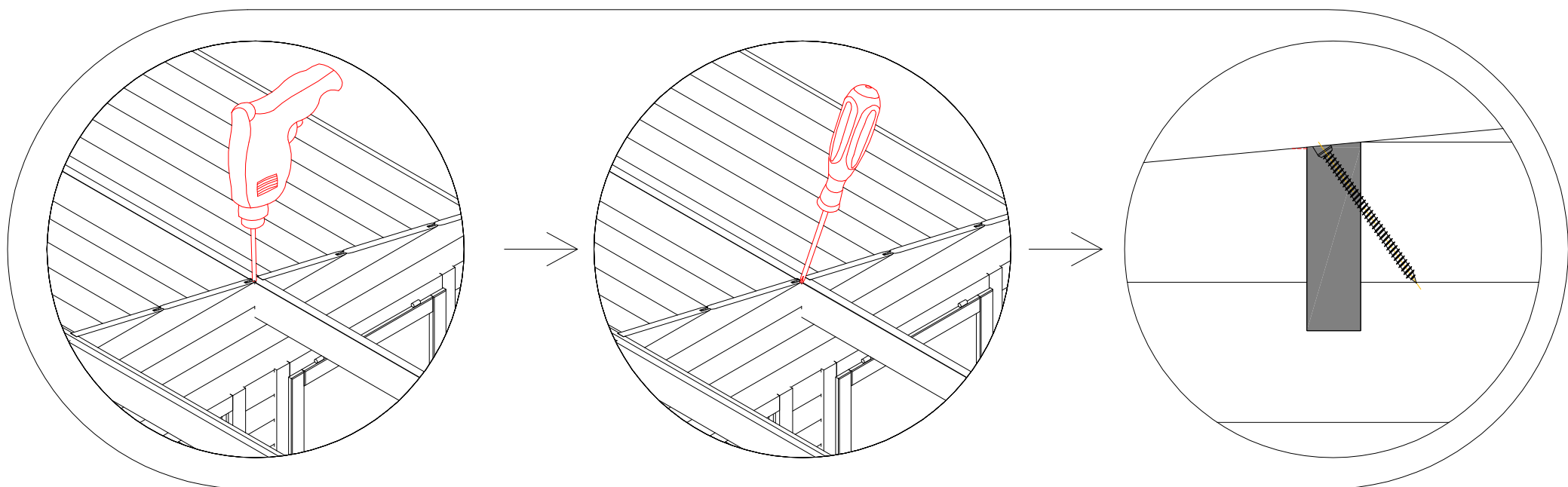




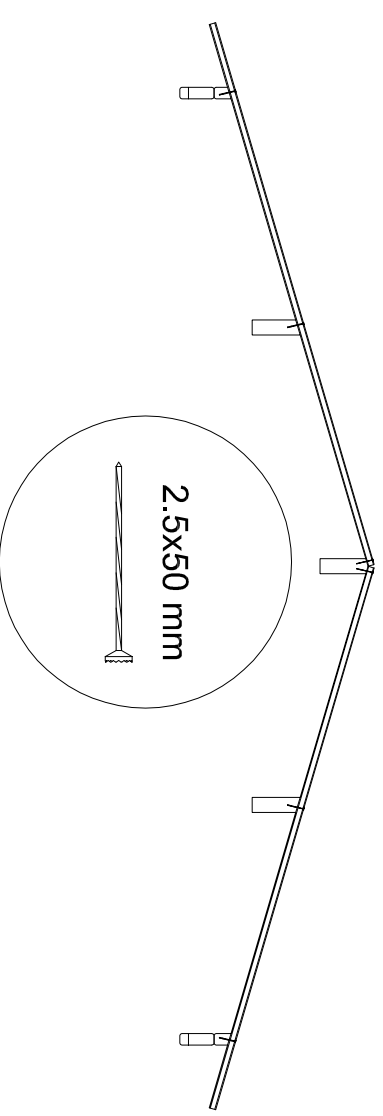
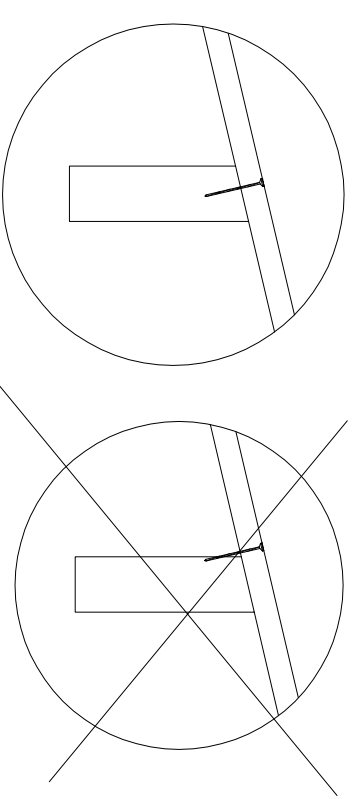
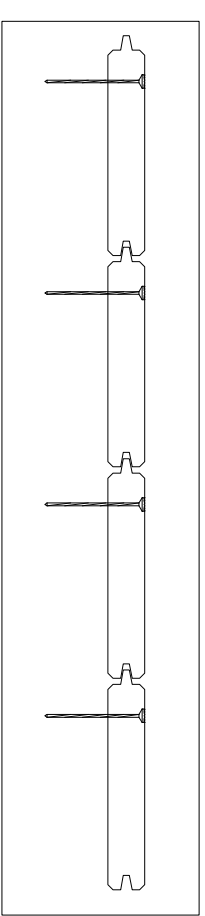
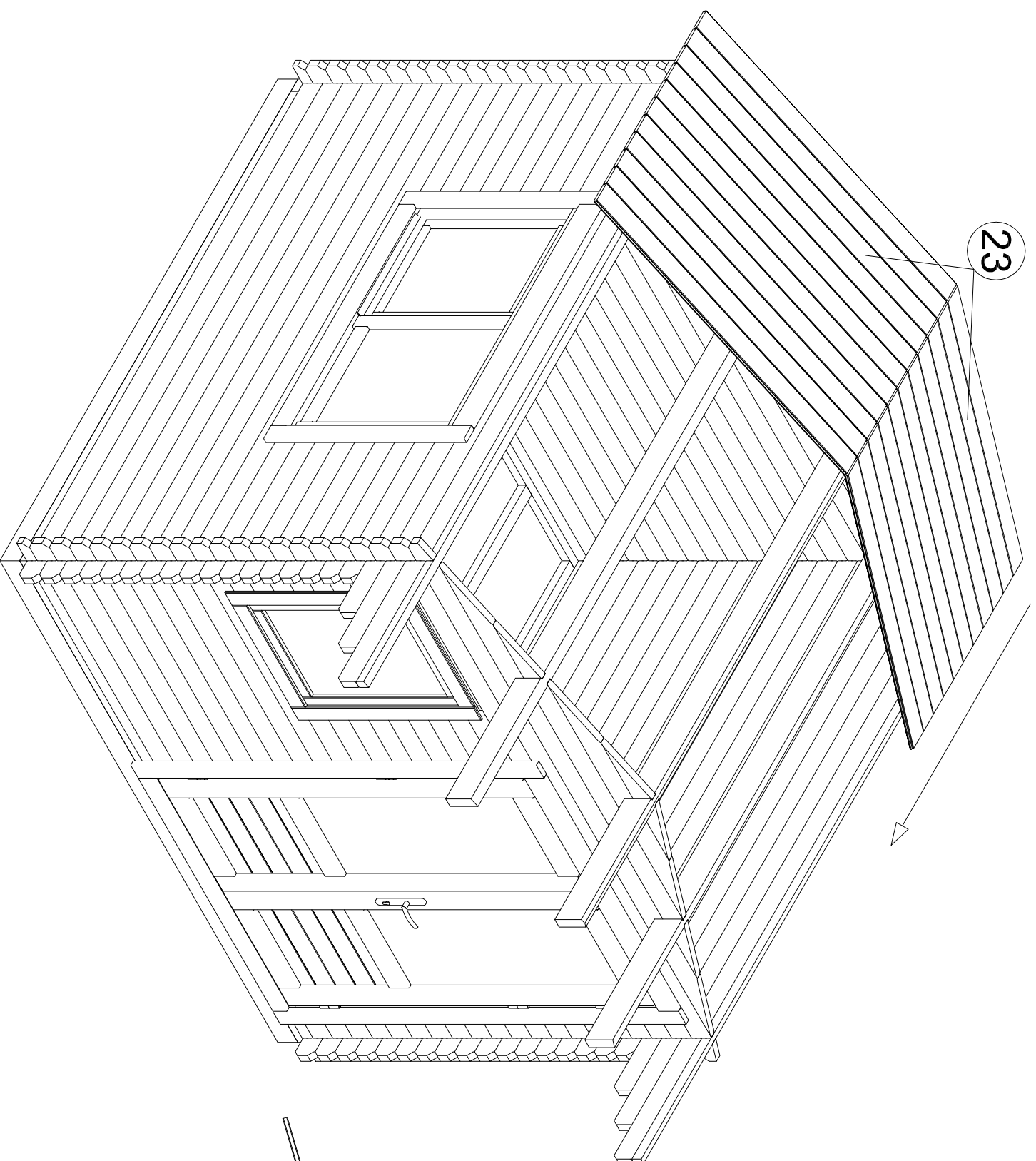
Ringwood 28mm		300x300 cm			BE 2022	Date
		28 mm 2022.10.04				
Degree <74°		Dimensions, mm			Pos.	Quantity
		A	B	C		
		3660	44	140	20	1
		3660	44	140	21	1
		3660	44	140	22	1



Ringwood 28mm

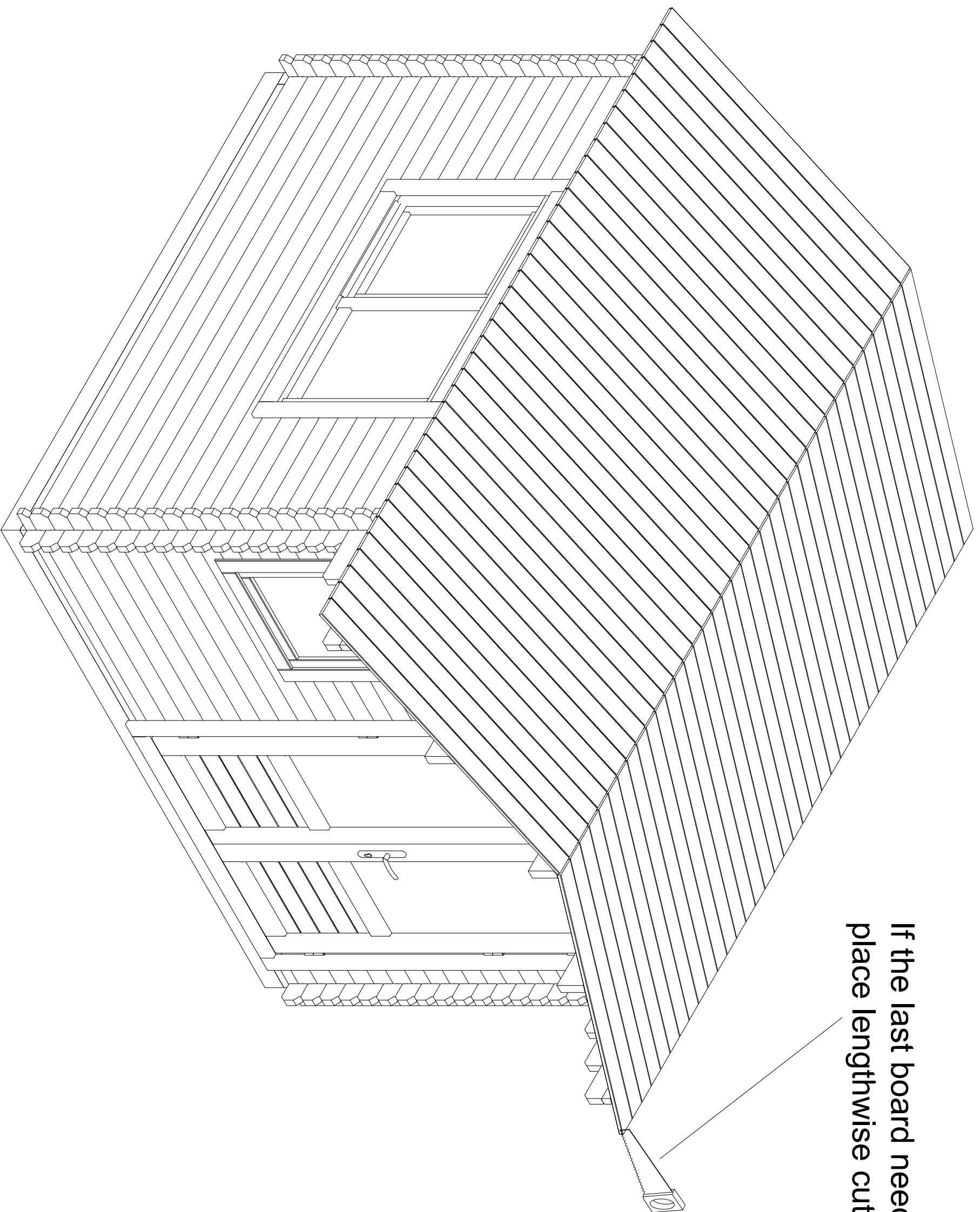


*screws not included



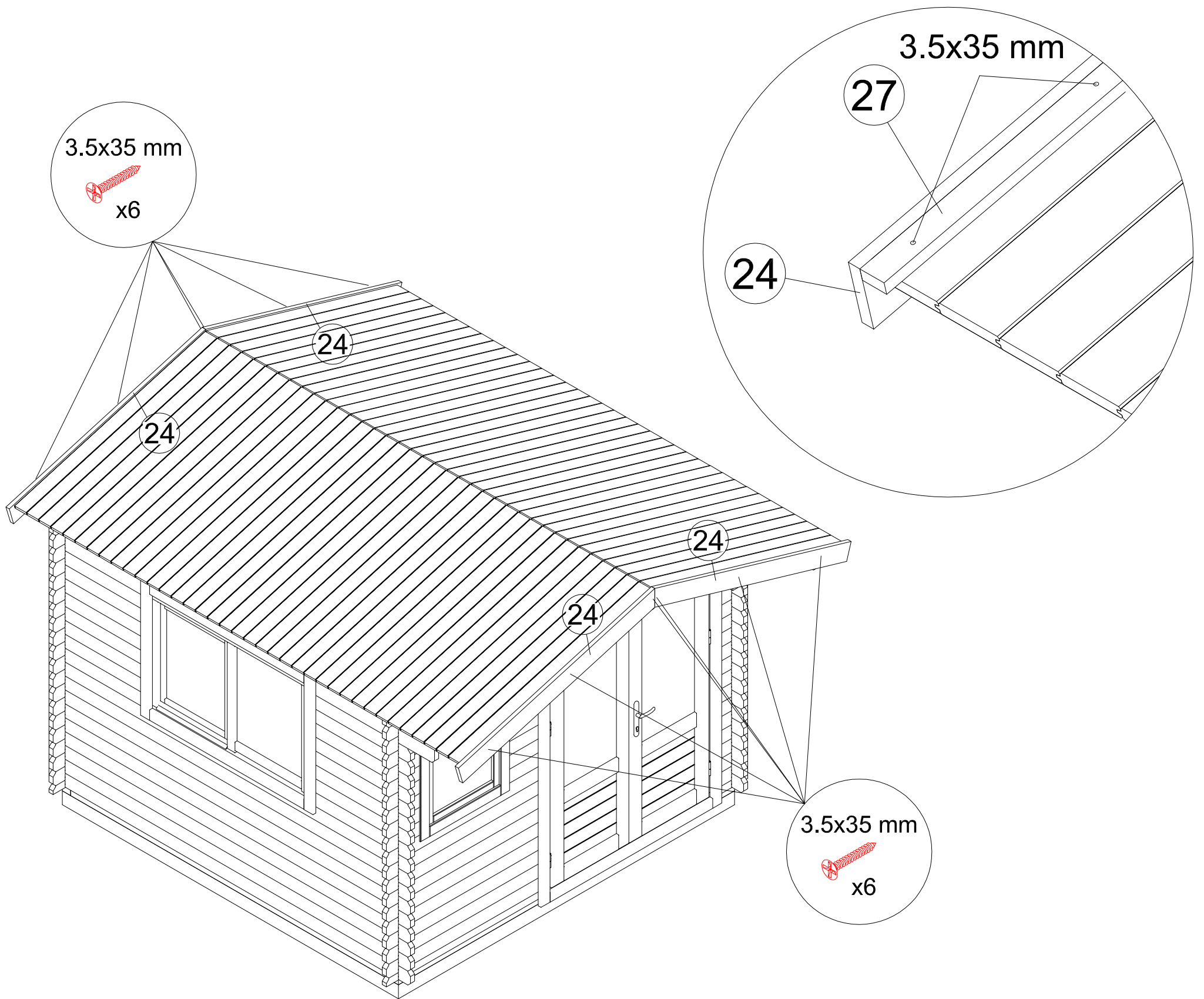
*nails not included

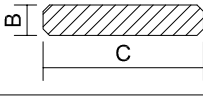
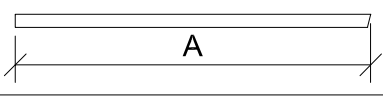
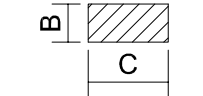
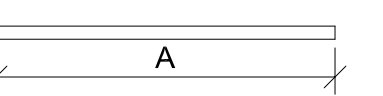
<p style="text-align: center;">Ringwood 28mm</p>		<p style="text-align: center;">300x300 cm</p>			<p style="text-align: center;">BE 2021</p>	<p style="text-align: center;">Date</p>
		<p style="text-align: center;">28 mm 2021.12.17</p>				
<p style="text-align: center;">Degree <74°</p>		<p style="text-align: center;">Dimensions, mm</p>		<p style="text-align: center;">Pos.</p>	<p style="text-align: center;">Quantity</p>	
		<p style="text-align: center;">A</p>	<p style="text-align: center;">B</p>			
		<p style="text-align: center;">1650</p>	<p style="text-align: center;">19</p>	<p style="text-align: center;">$\frac{100}{86}$</p>	<p style="text-align: center;">23</p>	<p style="text-align: center;">$\frac{74}{87} + 1$ extra</p>

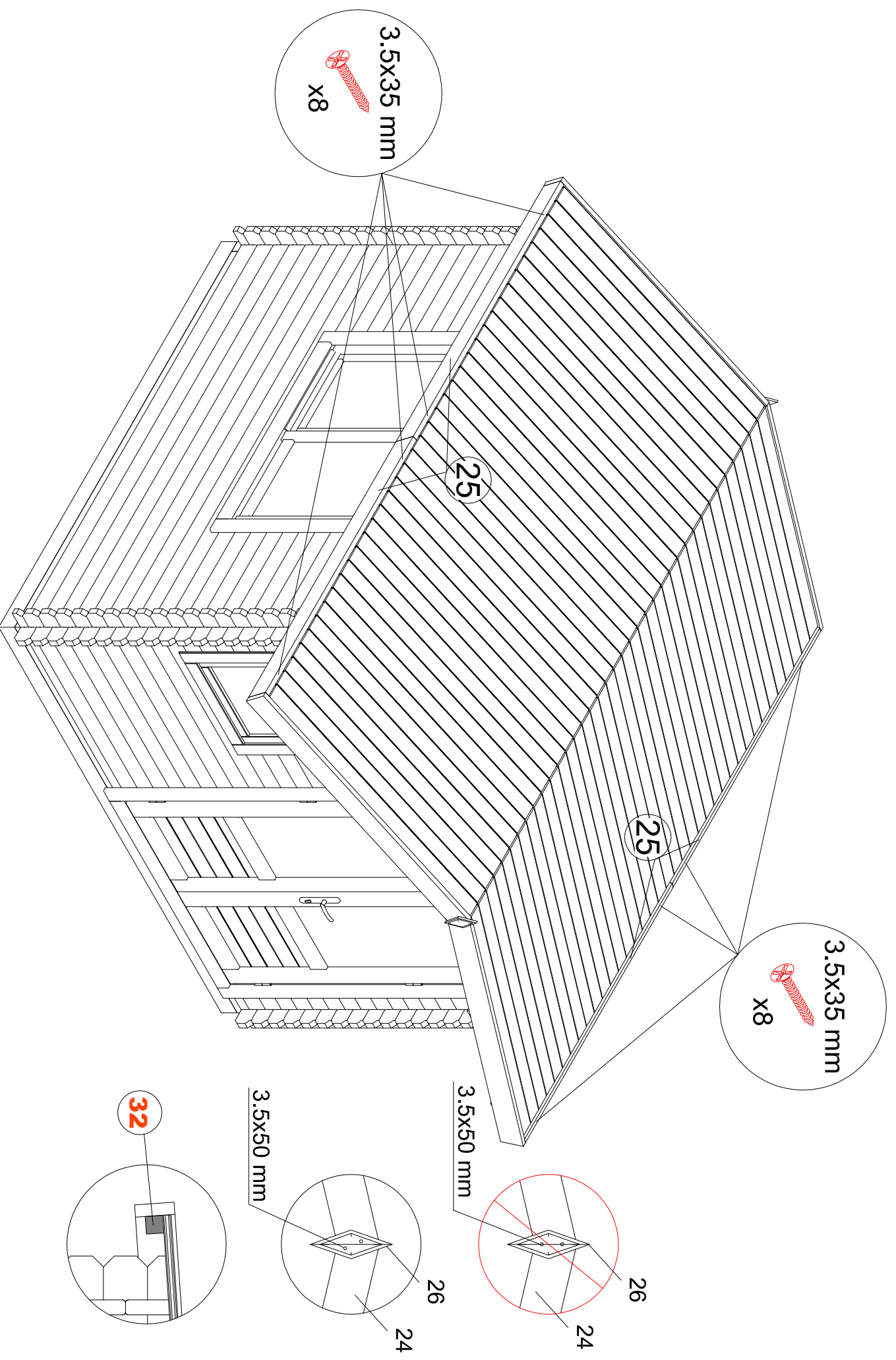


If the last board needs
place lengthwise cut

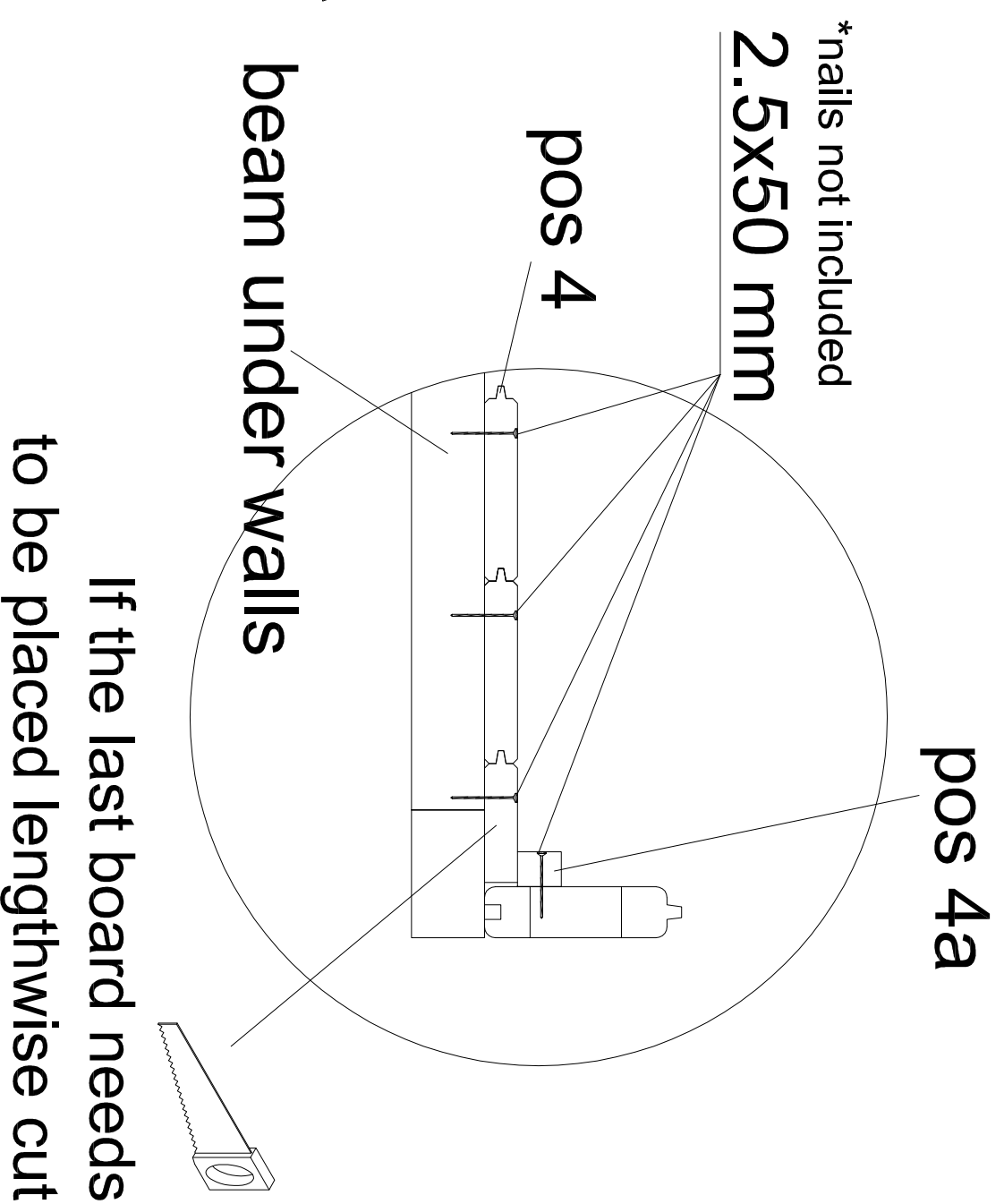
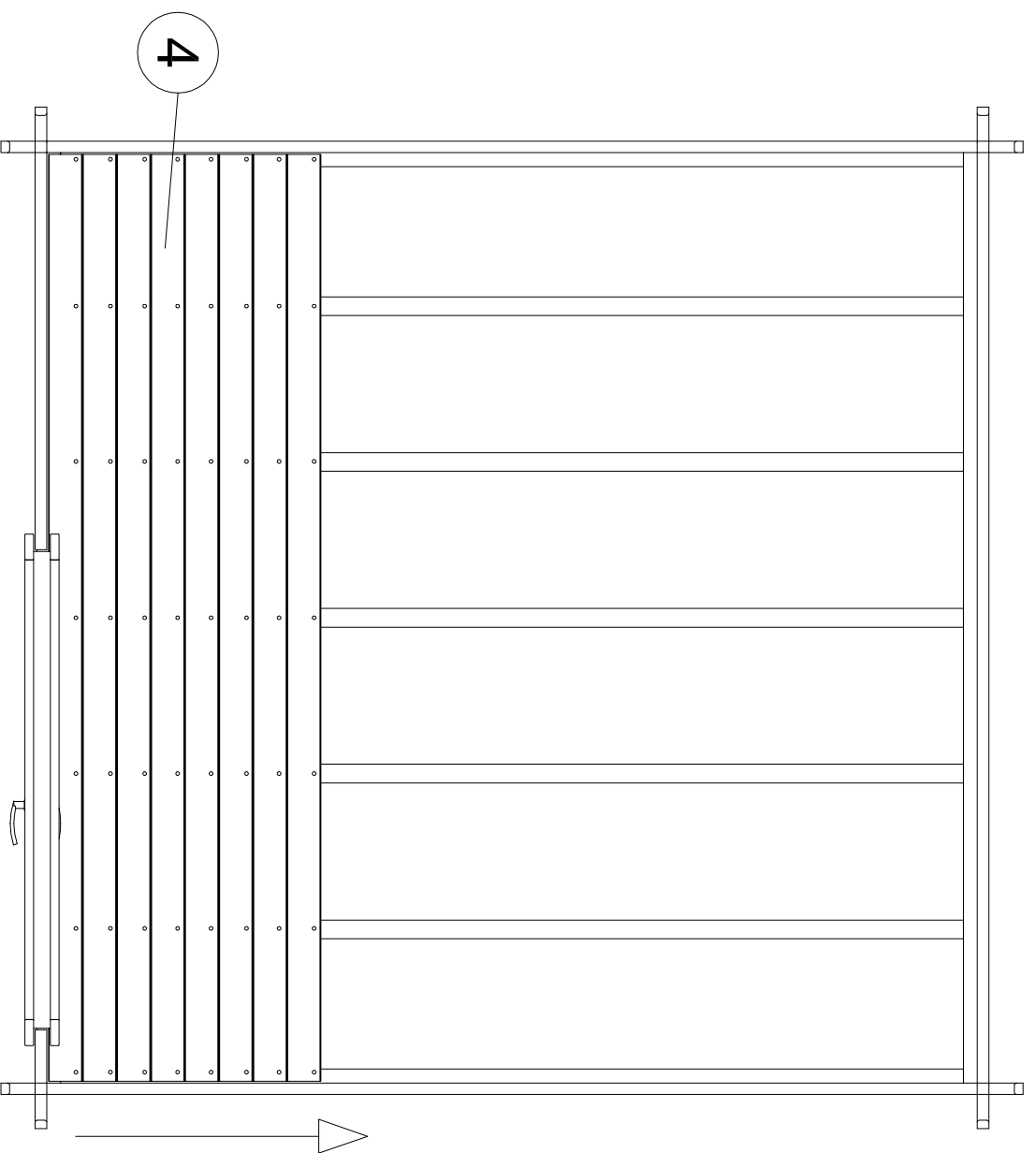
Ringwood 28mm

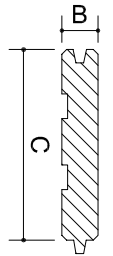
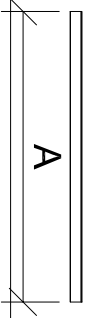
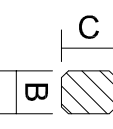



Ringwood 28mm		300x300 cm			BE 2021	Date
		28 mm <small>2021.12.17</small>				
Degree <74°		Dimensions, mm			Pos.	Quantity
		A	B	C		
		1748	28	130	24	4
		1748	19	40	27	4

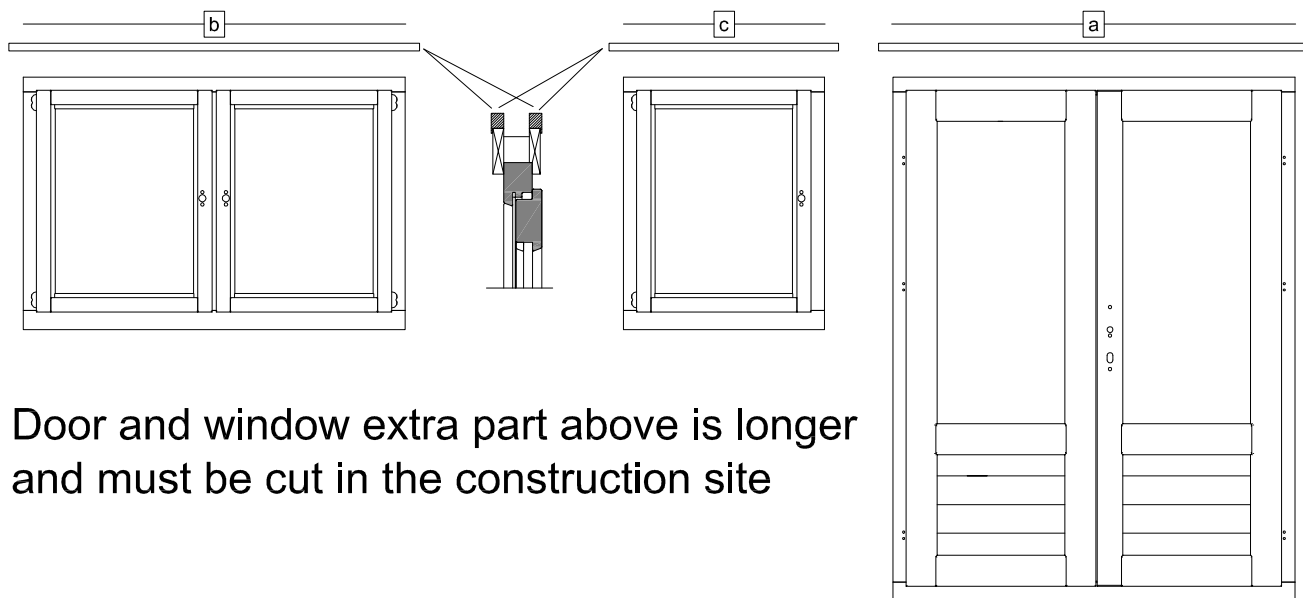
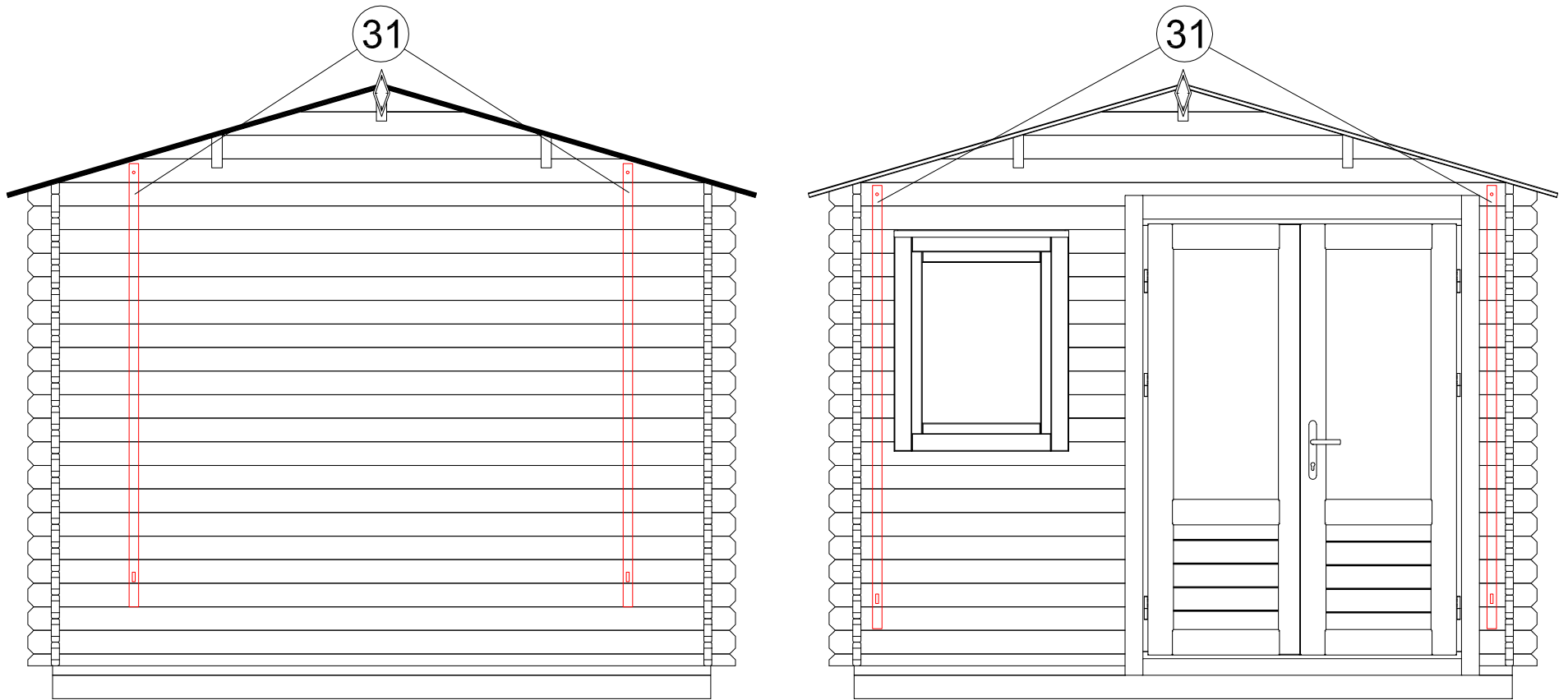


Ringwood 28mm	300x300 cm			BE 2021	Date
	28 mm 2021.12.17				
Degree <74°	Dimensions, mm		Pos.	Quantity	
	A	B			
		1830	28	130	25
	200	70		26	2
	1830	40	40	32	4



Ringwood 28mm	300X300 cm			BE 2021	Date	
	28 mm 2021.12.17					
Degree <74°	Dimensions, mm		Pos.	Quantity		
	A	B				C
		2730	28	100/130	4	$\frac{28}{22} + 1$ extra
		19	40	4a	11 m	

1. Expansion braces should be fitted internally for ease of adjustment
2. The bolt head should be external, the nut internal
3. Once the cabin has been completely erected, do not over tighten – hand tight is sufficient – in order to allow timbers to expand & contract.



Door and window extra part above is longer and must be cut in the construction site

Ringwood 28mm		300x300 cm			BE 2021	Date
		28 mm 2021.12.17				
Degree <74°		Dimensions, mm			Pos.	Quantity
		A	B	C		
		ca. 1880	19	40	31	4
		~1510	45	28	a	2
		~1440	45	28	b	2
		~810	45	28	c	2

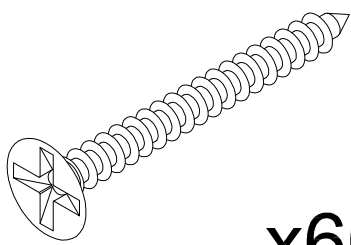
Ringwood 28mm

300x300 cm

28mm

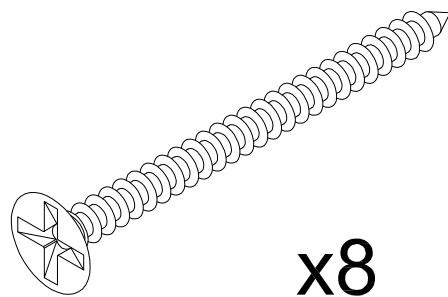
2021.12.17

3.5x35 mm



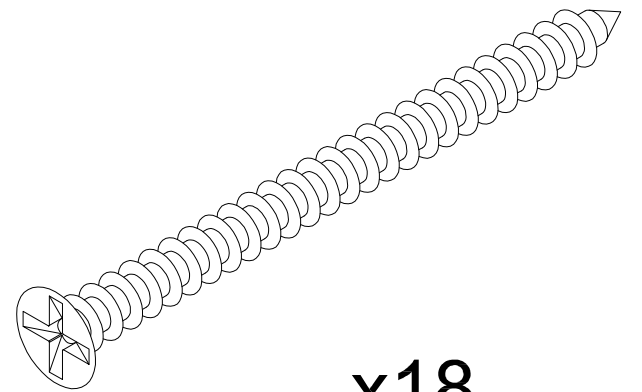
x60

5x80 mm



x8

6x150 mm



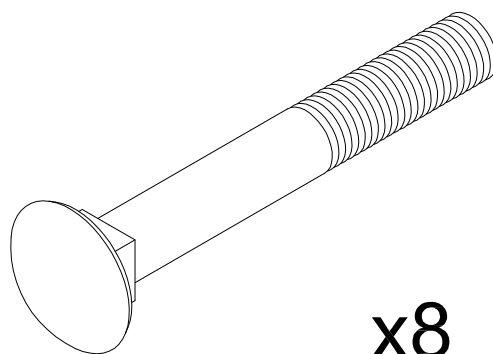
x18

2.5x50 mm



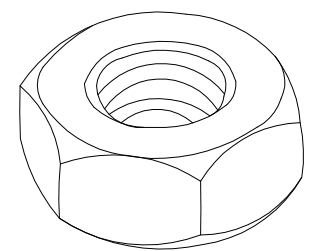
x520

8x60 mm

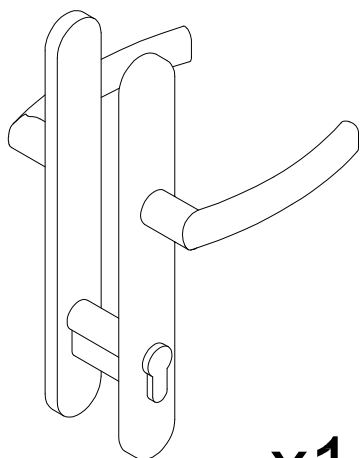


x8

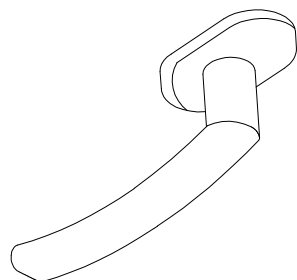
M8



x8

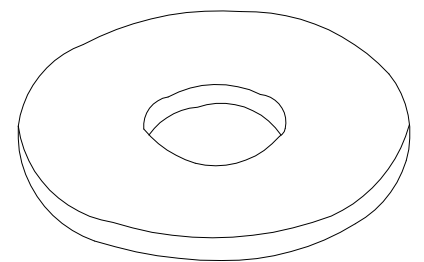


x1



x3

M8



x8